

# Genuine Spare Parts

www.stiga.com

## SCARIFIERS Model Year 2011

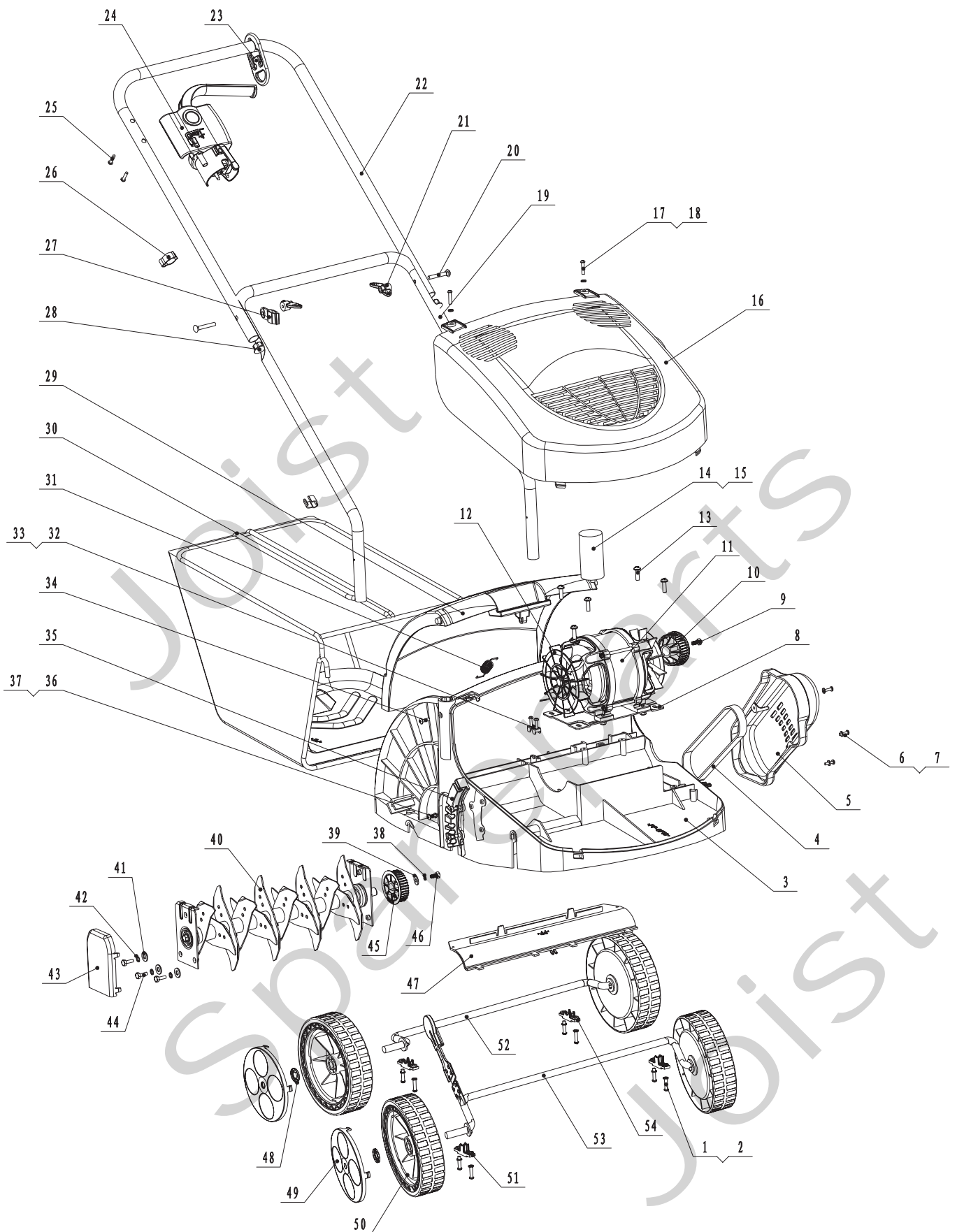
includes:  
26-2525-12 VE 32 Scarifier

- Use GLOBAL GARDEN PRODUCT Genuine Spare Parts specified in the parts list for repair and/or replacement.
- The contents described in the parts list may change due to improvement.
- The drawings of the spare parts are only indicative and might not represent the part in question exactly.
- The indications "right" - "left" - "front" - "rear" refer to the position of the operator when using the machine.
- When placing orders of parts for repair and/or replacement, make sure that the illustrated parts list is the one applying to the machine's year of manufacture, as shown on the identification plate attached to the machine.

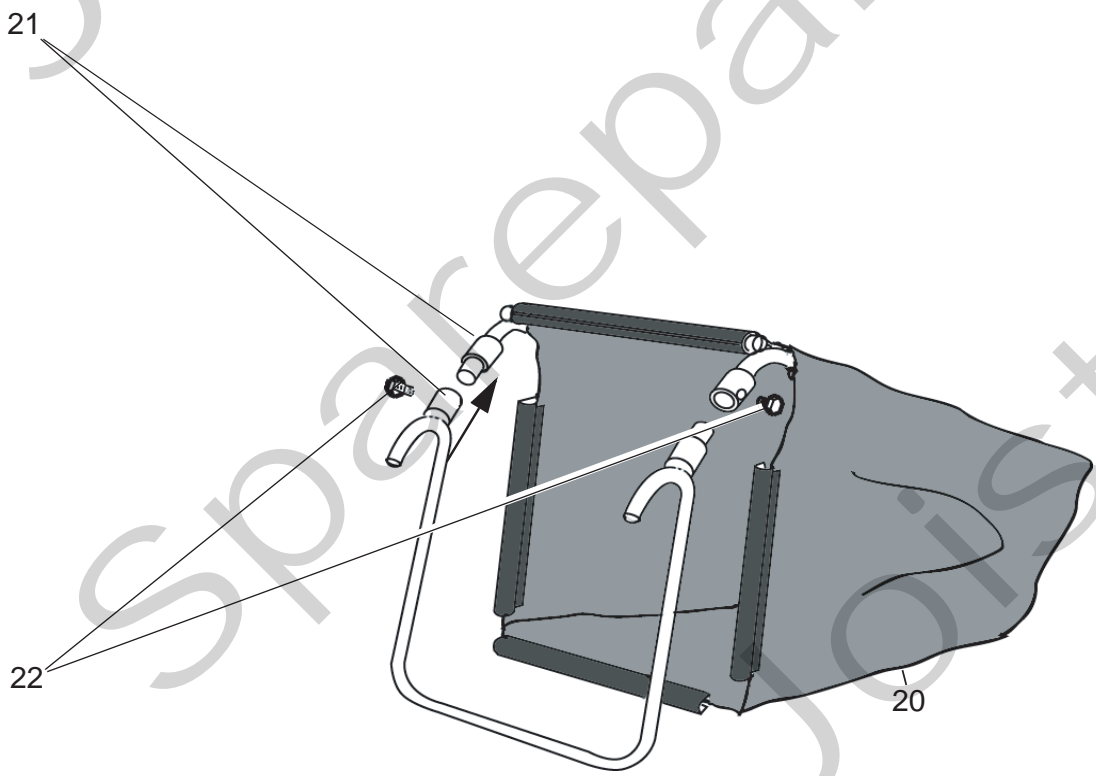
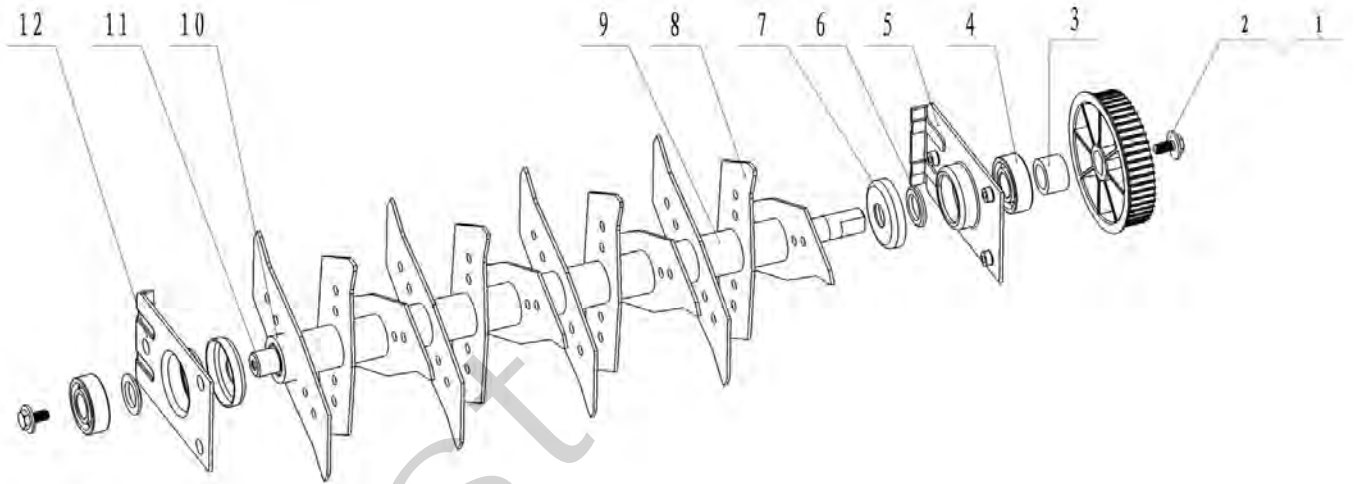
COPYRIGHT by GLOBAL GARDEN PRODUCTS

All rights reserved. No part of this material may be reproduced or transmitted, in any form or by any means, electronic or mechanical, including photocopying, recording or by any information storage and retrieval system, without permission in writing from GLOBAL GARDEN PRODUCTS.

The logo for STIGA, featuring the word "STIGA" in a bold, white, sans-serif font with a registered trademark symbol (®) to the upper right, set against a black rectangular background.



Utgåva Issue		Bildnr Picture No		VE 32 VERTIKALSKÄRARE	VE 32 SCARIFIER	Sida Page			
2011-13		2047A				6			
Pos. Fig.	Antal/Quantity				Art nr Part No	Benämning	Description	Sats Kit	Anmärkning Notes
	26- 2525 -12								
1	8			1716-0006-01	Skruv.....	Screw.....			
2	8			1716-0010-01	Bricka.....	Washer.....			
3	1			1716-0021-01	Chassi.....	Chassis.....			
4	1			1716-0015-01	Drivrem.....	Belt.....			
5	1			1716-0022-01	Remskydd.....	Belt cover.....			
6	3			9847-8016-16	Skruv.....	Screw.....			
7	3			1716-0009-01	Bricka.....	Washer.....			
8	1			1716-0199-01	Motorplatta.....	Motor base.....			
9	1			1716-0035-01	Skruv.....	Screw.....			
10	1			1716-0016-01	Remskiva- motor.....	Drive wheel- motor.....			
11	1			1716-0197-01	Motor.....	Motor.....		1500W	
12	1			1716-0193-01	Fläkt.....	Fan.....			
13	4			1716-0188-01	Skruv.....	Screw.....			
14	1			1716-0190-01	Kondensator 25 uF.....	Capacitor 25 uF.....			
15	1			9683-0030-02	Låsbricka.....	Lock washer.....			
16	1			1716-0023-01	Frontkåpa- gul.....	Front cover- yellow.....			
17	2			1716-0006-01	Skruv.....	Screw.....			
18	2			1716-0010-01	Bricka.....	Washer.....			
19	1			1716-0050-01	Styre- underdel.....	Handle- lower.....			
20	2			1716-0003-01	Skruv.....	Screw.....			
21	2			1716-0001-01	Lås ratt.....	Locking knob.....			
22	1			1716-0049-01	Styre- överdel.....	Handle- upper.....			
23	1			1716-0192-01	Kabelhållare.....	Cable- kink protection.....			
24	1			1716-0200-01	Manöverdosa.....	On/off switch.....			
25	2			9847-8016-16	Skruv.....	Screw.....			
26	2			1716-0031-01	Kabelhållare.....	Cable clamp.....			
27	1			1716-0025-01	Kabelhållare.....	Cable clamp.....			
28	2			1716-0019-01	Plugg.....	Cap.....			
29	1			1716-0026-01	Lucka- gul.....	Deflector plate- yello.....			
30	1			26-9936-12	Uppsamlare kpl.....	Collector assy.....			
31	1			1716-0051-01	Fjäder.....	Spring.....			
32	2			1716-0004-01	Skruv.....	Screw.....			
33	1			1716-0014-01	Kabelklämma.....	Cable clip.....			
34	2			9847-8016-16	Skruv.....	Screw.....			
35	1			1716-0030-01	Höjdställ.sektor.....	Height adjust sector.....			
36	3			9847-8016-16	Skruv.....	Screw.....			
37	3			1716-0009-01	Bricka.....	Washer.....			
38	1			1716-0012-01	Fjäderbricka.....	Spring washer.....			
39	2			1716-0011-01	Planbricka.....	Flat washer.....			
40	1			1716-0034-01	Knivaxel kpl.....	Blade shaft assy.....			
41	6			1716-0011-01	Planbricka.....	Flat washer.....			
42	6			1716-0012-01	Fjäderbricka.....	Spring washer.....			
43	1			1716-0027-01	Sidokåpa.....	Side cover.....			
44	6			1716-0187-01	Skruv.....	Screw.....			
45	1			1716-0018-01	Remskiva- knivaxel.....	Drive wheel- blade.....			
46	2			1716-0187-01	Skruv.....	Screw.....			
47	1			1716-0028-01	Skydd.....	Cover.....			
48	4			1716-0056-01	Låsring.....	Snap ring.....			
49	4			1716-0054-01	Navkapsel- gul.....	Wheel cover- yellow.....			
50	4			1716-0053-01	Hjul.....	Wheel.....			
51	2			1716-0020-01	Hjulaxelfäste- fram.....	Axle fitting- front.....			
52	1			1716-0048-01	Hjulaxel- bak.....	Wheel shaft- rear.....			
53	1			1716-0198-01	Hjulaxel- fram.....	Wheel shaft- front.....			
54	2			1716-0029-01	Hjulaxelfäste- bak.....	Axle fitting- rear.....			
X 99	1			1716-0264-01	Monteringssats.....	Assy kit.....		Ej ill/not ill.	



Utgåva Issue		Bildnr Picture No		VE 32 VERTIKALSKÄRARE	VE 32 SCARIFIER	Sida Page			
2011-13		2048A				8			
Pos. Fig.	Antal/Quantity				Art nr Part No	Benämning	Description	Sats Kit	Anmärkning Notes
	26- 2525 -12								
0	1			1716-0034-01	Knivaxel kpl .....	Blade shaft assy .....			Inkl. pos 1 - 12
1	2			1716-0187-01	• Skruv .....	• Screw .....			
2	2			1716-0011-01	• Planbricka .....	• Flat washer .....			
2	2			1716-0012-01	• Fjäderbricka .....	• Spring washer .....			
3	1			1716-0037-01	• Distans .....	• Spacer .....			
4	1			1716-0038-01	• Kullager .....	• Ball bearing .....			Sats 2 st/kit of 2
5	1			1716-0039-01	• Lagerplatta- vä .....	• Bearing base- LH .....			
6	1			1716-0040-01	• Lagerbricka .....	• Bearing washer .....			Sats 2 st/kit of 2
7	1			1716-0041-01	• Lagerskydd .....	• Bearing cuff .....			Sats 2 st/kit of 2
8	1			1716-0042-01	• Knivsats .....	• Blade kit .....			Sats 12 st/kit of 12
9	1			1716-0043-01	• Knivdistanssats .....	• Blade spacer kit .....			Sats 11 st/kit of 11
10	1			1716-0044-01	• Lagerdistans .....	• Bearing spacer .....			Sats 2 st/kit of 2
11	1			1716-0045-01	• Knivaxel .....	• Blade shaft .....			
12	1			1716-0046-01	• Lagerplatta- hö .....	• Bearing base- RH .....			
20	1			1716-0260-01	Uppsamlingsäck .....	Collecting bag .....			
21	1			1716-0261-01	Ram .....	Frame .....			
22	2			1716-0262-01	Skruv .....	Screw .....			