

# Genuine Spare Parts

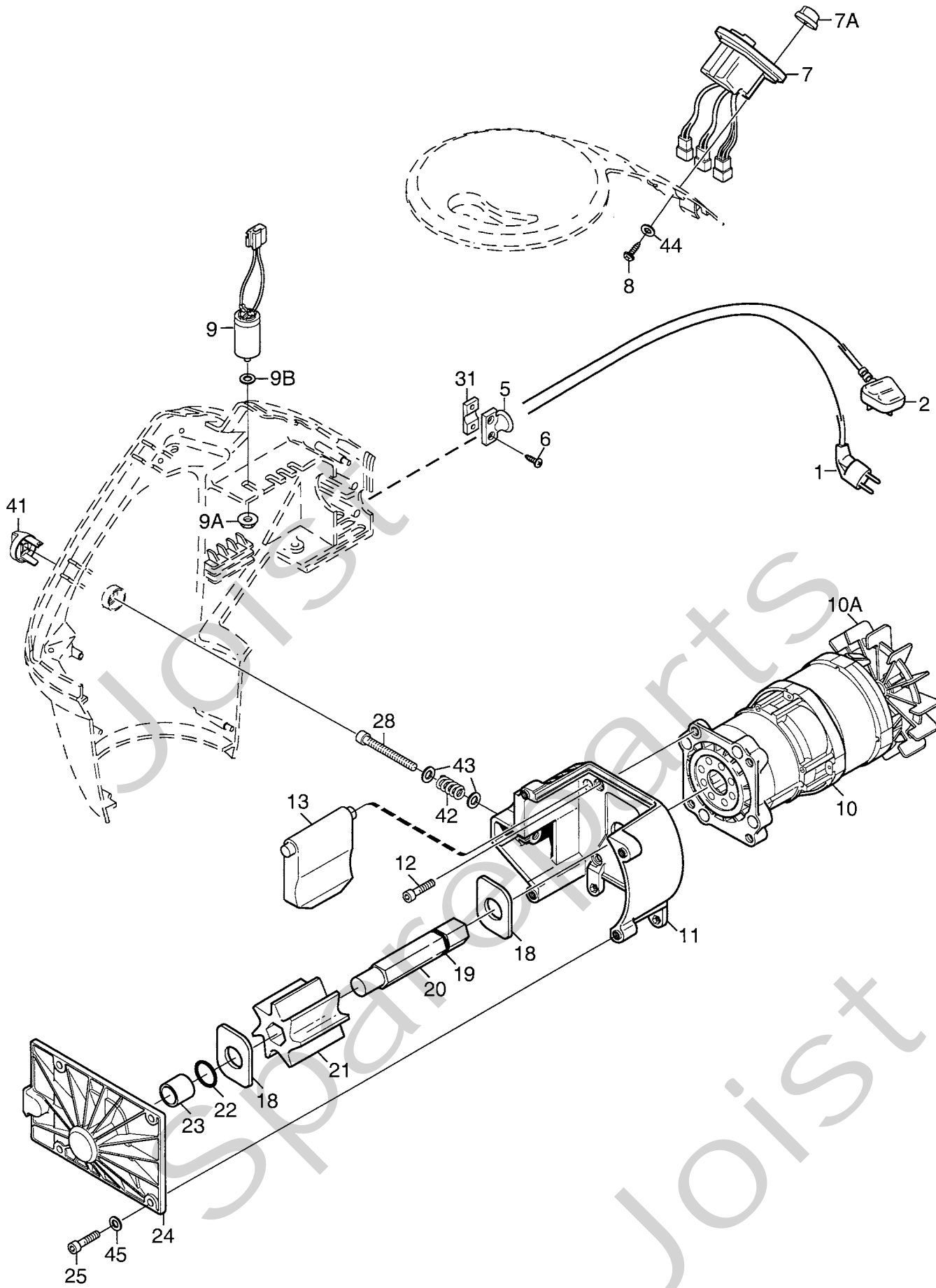
---



Joist  
Spareparts  
Joist



| Utgåva<br>Issue |                | Bildnr<br>Picture No |  | BIO- SILENT<br>KOMPOSTKVARN<br>CHASSI |                          | BIO- SILENT<br>SHREDDER<br>CHASSIS |             | Sida<br>Page        |  |
|-----------------|----------------|----------------------|--|---------------------------------------|--------------------------|------------------------------------|-------------|---------------------|--|
| 2006- 12        |                | 1538B                |  |                                       |                          |                                    |             | 232                 |  |
| Pos.<br>Fig.    | Antal/Quantity |                      |  | Art nr<br>Part No                     | Benämning                | Description                        | Sats<br>Kit | Anmärkning<br>Notes |  |
|                 | 2660<br>-22    |                      |  |                                       |                          |                                    |             |                     |  |
| 1               | 1              |                      |  | 1717- 0352- 01                        | Ben- vä.....             | Leg- LH .....                      |             |                     |  |
| 2               | 1              |                      |  | 1717- 0352- 02                        | Ben- hö.....             | Leg- RH .....                      |             |                     |  |
| 3               | 2              |                      |  | 1717- 0373- 01                        | Plastplugg .....         | End cap .....                      |             |                     |  |
| 4               | 1              |                      |  | 1717- 0354- 01                        | Hjulaxel.....            | Wheel axle.....                    |             |                     |  |
| 5               | 1              |                      |  | 1717- 0355- 01                        | Rör .....                | Tube .....                         |             |                     |  |
| 6               | 4              |                      |  | 9699- 0035- 02                        | Planbricka.....          | Flat washer.....                   |             |                     |  |
| 7               | 2              |                      |  | 1717- 0522- 01                        | Hjulsköld .....          | Wheel cover .....                  |             |                     |  |
| 8               | 4              |                      |  | 1717- 0350- 01                        | Hjulsbusning .....       | Wheel bush .....                   |             |                     |  |
| 9               | 2              |                      |  | 1717- 0356- 01                        | Hjulhylsa.....           | Wheel spacer .....                 |             |                     |  |
| 10              | 2              |                      |  | 1717- 0347- 01                        | Hjul.....                | Wheel.....                         |             |                     |  |
| 11              | 2              |                      |  | 9747- 0831- 02                        | Mutter.....              | Lock nut.....                      |             |                     |  |
| 12              | 2              |                      |  | 1717- 0348- 01                        | Navkapsel- gul .....     | Hub cap- yellow.....               |             |                     |  |
| 13              | 4              |                      |  | 9939- 0840- 12                        | Skruv .....              | Screw .....                        |             |                     |  |
| 14              | 2              |                      |  | 9699- 0035- 02                        | Planbricka.....          | Flat washer.....                   |             |                     |  |
| 15              | 1              |                      |  | 1717- 0357- 01                        | Motorplatta.....         | Motor plate .....                  |             |                     |  |
| 16              | 2              |                      |  | 9997- 0616- 16                        | Skruv .....              | Screw .....                        |             |                     |  |
| 18              | 2              |                      |  | 9747- 0631- 02                        | Låsmutter.....           | Lock nut.....                      |             |                     |  |
| 19              | 1              |                      |  | 9997- 0612- 16                        | Skruv .....              | Screw .....                        |             |                     |  |
| 20              | 1              |                      |  | 9699- 0060- 02                        | Planbricka.....          | Flat washer.....                   |             |                     |  |
| 21              | 1              |                      |  | 1717- 0360- 01                        | Motorfäste- främre ..... | Motor bracket- front.....          |             |                     |  |
| 24              | 1              |                      |  | 1717- 0499- 01                        | Styre.....               | Handle.....                        |             |                     |  |
| 25              | 4              |                      |  | 1717- 0518- 01                        | Skruv .....              | Screw .....                        |             |                     |  |
| 26              | 4              |                      |  | 9699- 0060- 02                        | Planbricka.....          | Flat washer.....                   |             |                     |  |
| 27              | 2              |                      |  | 1717- 0500- 01                        | Stöd för styre.....      | Handle block .....                 |             |                     |  |
| 28              | 4              |                      |  | 9799- 0631- 02                        | Mutter.....              | Nut.....                           |             |                     |  |
| 30              | 1              |                      |  | 1717- 0501- 01                        | Hus- gul.....            | Housing- yellow.....               |             |                     |  |
| 31              | 1              |                      |  | 1717- 0519- 01                        | Hus- gul.....            | Housing- yellow.....               |             |                     |  |
| 32              | 5              |                      |  | 1717- 0377- 01                        | Skruv .....              | Screw .....                        |             |                     |  |
| 33              | 2              |                      |  | 1717- 0378- 01                        | Skruv .....              | Screw .....                        |             |                     |  |
| 34              | 2              |                      |  | 9997- 0612- 16                        | Skruv .....              | Screw .....                        |             |                     |  |
| 35              | 2              |                      |  | 9699- 0060- 02                        | Planbricka.....          | Flat washer.....                   |             |                     |  |
| 36              | 1              |                      |  | 1717- 0520- 01                        | Frontkåpa- gul.....      | Front cap- yellow.....             |             |                     |  |
| 37              | 4              |                      |  | 1717- 0377- 01                        | Skruv .....              | Screw .....                        |             |                     |  |
| 38              | 8              |                      |  | 9699- 0021- 02                        | Bricka .....             | Washer.....                        |             |                     |  |
| 40              | 1              |                      |  | 1717- 0342- 01                        | Grentratt- svart .....   | Branch guide- black.....           |             |                     |  |
| 41              | 4              |                      |  | 1717- 0377- 01                        | Skruv .....              | Screw .....                        |             |                     |  |
| 42              | 1              |                      |  | 1717- 0504- 01                        | Panellock- grå.....      | Panel cap- grey .....              |             |                     |  |
| 43              | 1              |                      |  | 1717- 0503- 01                        | Hållare- nyckel .....    | Holder- wrench.....                |             |                     |  |
| 44              | 1              |                      |  | 9900- 0060- 00                        | Insexnyckel.....         | Allen wrench .....                 |             | 6 mm                |  |
| 45              | 1              |                      |  | 1717- 0406- 01                        | Tratt .....              | Funnel .....                       |             |                     |  |
| 46              | 4              |                      |  | 1717- 0378- 01                        | Skruv .....              | Screw .....                        |             |                     |  |
| 47              | 4              |                      |  | 9699- 0024- 02                        | Planbricka.....          | Flat washer.....                   |             |                     |  |
| 49              | 1              |                      |  | 1717- 0405- 01                        | Fästplåt.....            | Bracket.....                       |             |                     |  |
| 50              | 2              |                      |  | 9939- 0840- 12                        | Skruv .....              | Screw .....                        |             |                     |  |
| 51              | 2              |                      |  | 9699- 0035- 02                        | Planbricka.....          | Flat washer.....                   |             |                     |  |
| 52              | 1              |                      |  | 9939- 0812- 16                        | Skruv .....              | Screw .....                        |             |                     |  |
| 53              | 1              |                      |  | 9699- 0035- 02                        | Planbricka.....          | Flat washer.....                   |             |                     |  |



| Utgåva<br>Issue |                | Bildnr<br>Picture No |  | BIO- SILENT<br>KOMPOSTKVARN<br>MOTOR<br>SKÄRENHET |                            | BIO- SILENT<br>SHREDDER<br>MOTOR<br>CUTTER |             | Sida<br>Page          |  |
|-----------------|----------------|----------------------|--|---|----------------------------|--|-------------|-----------------------|--|
| 2006- 12        |                | 1539B                |  |   |                            |  |             | 234                   |  |
| Pos.<br>Fig.    | Antal/Quantity |                      |  | Art nr<br>Part No                                 | Benämning                  | Description                                | Sats<br>Kit | Anmärkning<br>Notes   |  |
|                 | 2660<br>-22    |                      |  |   |                            |  |             |                       |  |
| 1               | 1              |                      |  | 1717- 0359- 01                                    | Anslutningssladd .....     | Connection cable.....                      |             | EU<br>Australia<br>UK |  |
| 2               | 1              |                      |  | 1717- 0359- 03                                    | Anslutningssladd .....     | Connection cable.....                      |             |                       |  |
| 5               | 1              |                      |  | 1717- 0359- 02                                    | Anslutningssladd .....     | Connection cable.....                      |             |                       |  |
| 6               | 2              |                      |  | 1717- 0349- 01                                    | Dragavlastare.....         | Cord restrainer .....                      |             |                       |  |
| 7               | 1              |                      |  | 1717- 0377- 01                                    | Skruv .....                | Screw .....                                |             |                       |  |
| 7A              | 1              |                      |  | 1717- 0506- 01                                    | Strömbrytare kpl .....     | Switch assy.....                           |             |                       |  |
| 8               | 4              |                      |  | 1717- 0521- 01                                    | • Riktningssknapp.....     | • Direction button .....                   |             |                       |  |
| 9               | 1              |                      |  | 1717- 0382- 01                                    | Skruv .....                | Screw .....                                |             |                       |  |
| 9A              | 1              |                      |  | 1717- 0408- 01                                    | Kondensator .....          | Condensor .....                            | 20 uF       |                       |  |
| 9B              | 1              |                      |  | 9739- 0831- 22                                    | • Mutter.....              | • Nut .....                                |             |                       |  |
| 10              | 1              |                      |  | 9678- 0010- 02                                    | • Låsbricka .....          | • Starlock .....                           |             |                       |  |
| 10A             | 1              |                      |  | 1717- 0383- 01                                    | Elmotor kpl.....           | Electric motor assy .....                  |             |                       |  |
| 11              | 1              |                      |  | 1717- 0384- 01                                    | • Kylfläkt.....            | • Cooling fan .....                        |             |                       |  |
| 12              | 4              |                      |  | 1717- 0511- 01                                    | Skärkammare .....          | Cutting chamber .....                      |             |                       |  |
| 13              | 1              |                      |  | 9939- 0820- 16                                    | Skruv .....                | Screw .....                                |             |                       |  |
| 18              | 2              |                      |  | 1717- 0512- 01                                    | Skärplatta .....           | Cutting plate.....                         |             |                       |  |
| 19              | 1              |                      |  | 1717- 0387- 01                                    | Distansplatta.....         | Spacer plate .....                         |             |                       |  |
| 20              | 1              |                      |  | 1717- 0388- 01                                    | O- ring .....              | O- ring .....                              |             |                       |  |
| 21              | 1              |                      |  | 1717- 0389- 01                                    | Axel .....                 | Shaft .....                                |             |                       |  |
| 22              | 1              |                      |  | 1717- 0390- 01                                    | Skärvals.....              | Cutter .....                               |             |                       |  |
| 23              | 1              |                      |  | 1717- 0391- 01                                    | O- ring .....              | O- ring .....                              |             |                       |  |
| 24              | 1              |                      |  | 1717- 0392- 01                                    | Lagerbussning.....         | Bearing bush.....                          |             |                       |  |
| 25              | 4              |                      |  | 1717- 0513- 01                                    | Skärkamarlock.....         | Cutting chamber cover.....                 |             |                       |  |
| 28              | 1              |                      |  | 9939- 0820- 16                                    | Skruv .....                | Screw .....                                |             |                       |  |
| 31              | 1              |                      |  | 1717- 0514- 01                                    | Justerskruv.....           | Adjusting screw .....                      |             |                       |  |
| 41              | 1              |                      |  | 1717- 0398- 01                                    | Dragavlastare- undre ..... | Cable restrainer- lowe .....               |             |                       |  |
| 42              | 1              |                      |  | 1717- 0502- 01                                    | Justervred .....           | Adjustment knob.....                       |             |                       |  |
| 43              | 2              |                      |  | 1717- 0515- 01                                    | Fjäder.....                | Spring .....                               |             |                       |  |
| 44              | 4              |                      |  | 9699- 0035- 02                                    | Planbricka.....            | Flat washer.....                           |             |                       |  |
| 45              | 4              |                      |  | 9699- 0021- 02                                    | Bricka .....               | Washer .....                               |             |                       |  |
|                 |                |                      |  | 9683- 0030- 02                                    | Låsbricka .....            | Lock washer.....                           |             |                       |  |