

# Genuine Spare Parts

www.stiga.com

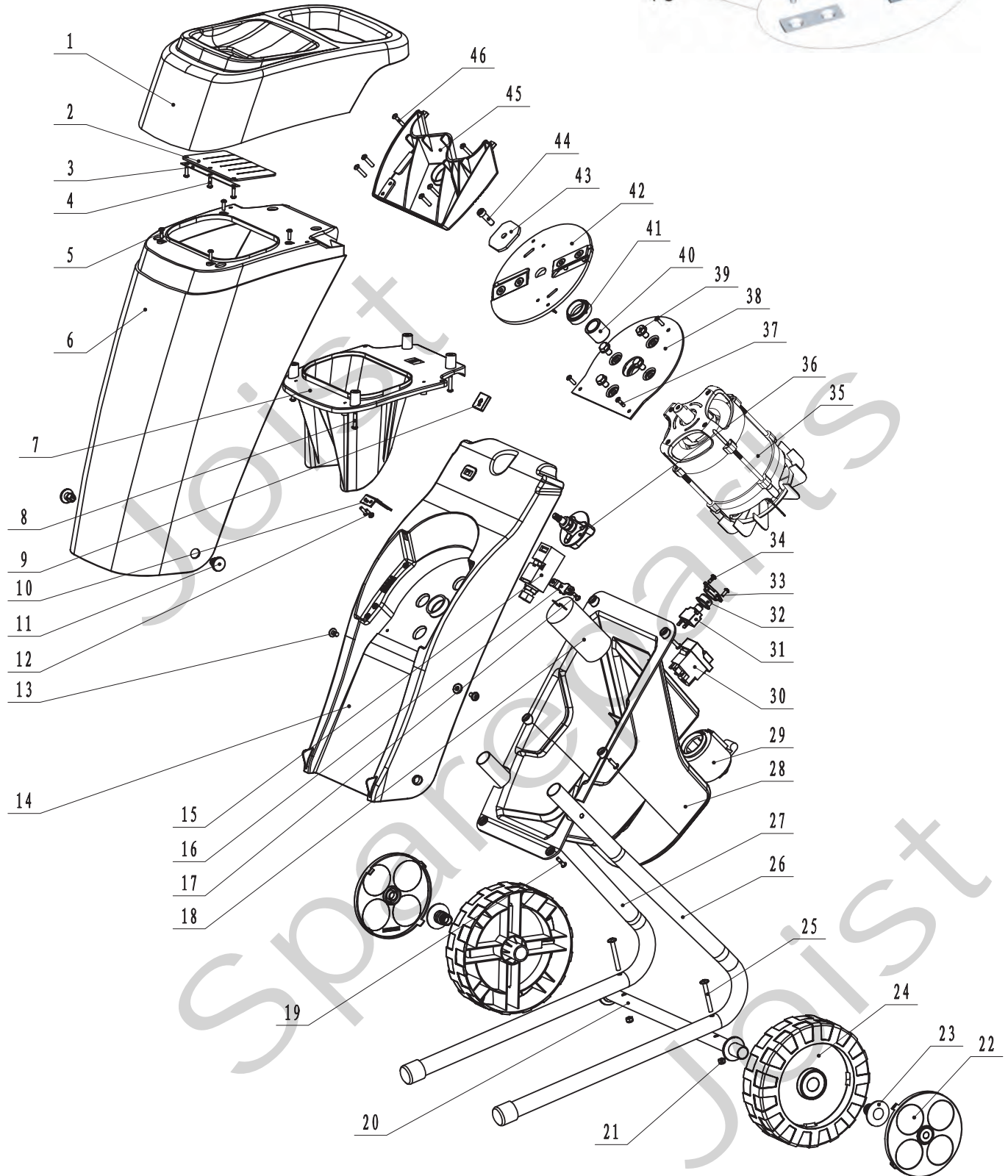
## Bio Power Model Year 2009

- Use GLOBAL GARDEN PRODUCT Genuine Spare Parts specified in the parts list for repair and/or replacement.
- The contents described in the parts list may change due to improvement.
- The drawings of the spare parts are only indicative and might not represent the part in question exactly.
- The indications "right" - "left" - "front" - "rear" refer to the position of the operator when using the machine.
- When placing orders of parts for repair and/or replacement, make sure that the illustrated parts list is the one applying to the machine's year of manufacture, as shown on the identification plate attached to the machine.

COPYRIGHT by GLOBAL GARDEN PRODUCTS

All rights reserved. No part of this material may be reproduced or transmitted, in any form or by any means, electronic or mechanical, including photocopying, recording or by any information storage and retrieval system, without permission in writing from GLOBAL GARDEN PRODUCTS.

**STIGA**®



Utgåva Issue		Bildnr Picture No		BIO- POWER KOMPOSTKVARN		BIO- POWER CHIPPER		Sida Page	
2009- 12		2051A						252	
Pos. Fig.	Antal/Quantity				Art nr Part No	Benämning	Description	Sats Kit	Anmärkning Notes
	2720 -11 -31								
1	1			1716-0086-01	Inmatningshus.....	Feeding barrel .....			
2	1			1716-0113-01	Gummiskydd .....	Rubber flap .....			
3	1			1716-0107-01	Platta .....	Bar washer .....			
4	3			1716-0005-01	Skruv .....	Screw .....			
5	4			9847-8025-16	Skruv .....	Screw .....			
6	1			1716-0087-01	Kåpa- gul .....	Main cover- yellow .....			
7	1			1716-0092-01	Inmatningstratt.....	Feeding inlet.....			
8	4			9847-8025-16	Skruv .....	Screw .....			
9	1			1716-0116-01	Fyrkantmutter .....	Square nut .....			
10	1			1716-0115-01	Bleck.....	Key.....			
11	2			1716-0085-01	Bult.....	Bolt .....			
12	2			1716-0005-01	Skruv .....	Screw .....			
13	2			1716-0060-01	Skruv .....	Screw .....			
14	1			1716-0088-01	Basplatta.....	Base plate .....			
15	1			1716-0072-01	Brytare .....	Switch .....			
16	1			1716-0090-01	Plastlist.....	Plastic board .....			
17	2			9847-8025-16	Skruv .....	Screw .....			
18	1			1716-0129-01	Kondensator .....	Capacitor.....			
19	2			1716-0007-01	Skruv .....	Screw .....			
20	1			1716-0101-01	Hjulaxel.....	Wheel shaft .....			
21	2			9799-0631-02	Mutter .....	Nut .....			
22	2			1716-0054-01	Navkapsel- gul .....	Wheel cover- yellow .....			
23	2			1716-0084-01	Plastnit .....	Plastic rivet .....			
24	2			1716-0091-01	Hjul .....	Wheel .....			
25	2			9948-0655-16	Skruv .....	Screw .....			
26	1			1716-0117-01	Ben- vä.....	Support leg- LH .....			
27	1			1716-0118-01	Ben- hö .....	Support leg- RH .....			
28	1			1716-0089-01	Motorkåpa .....	Motor cover .....			
29	1			1716-0119-01	Anslutn.kontakt.....	Plug .....			
30	1			1716-0071-01	Brytare.....	Electromagn.switch.....			
31	1			1716-0157-01	Överbelastningsskydd .....	Overload protector .....			
32	1			1716-0068-01	Tätningshylsa .....	Water proof sleeve .....			
33	1			1716-0082-01	Tryckring .....	Pressure ring .....			
34	2			1716-0062-01	Skruv .....	Screw .....			
35	1			1716-0195-01	Elmotor.....	Motor .....		2100W	
36	1			1716-0114-01	Lås ratt .....	Locking knob .....			
37	3			9847-7925-16	Skruv .....	Screw .....			
38	1			1716-0111-01	Motorplatta.....	Fixed plate .....			
39	4			1716-0035-01	Skruv .....	Screw .....			
40	1			1716-0109-01	Axelhylsa .....	Shaft sleeve.....			
41	1			1716-0069-01	Tätningring .....	Waterproof hat .....			
42	1			1716-0105-01	Knivskiva .....	Blade disc .....			
43	1			1716-0110-01	Knivskivsbricka.....	Blade disc washer .....			
44	1			1716-0058-01	Skruv .....	Screw .....			
45	1			1716-0112-01	Mothåll .....	Counter block.....			
46	6			1716-0005-01	Skruv .....	Screw .....			
47	4			1716-0059-01	• Skruv .....	• Screw .....			
48	1			1716-0108-01	Knivsats.....	Blade kit .....		2 kniv+4 skruv	