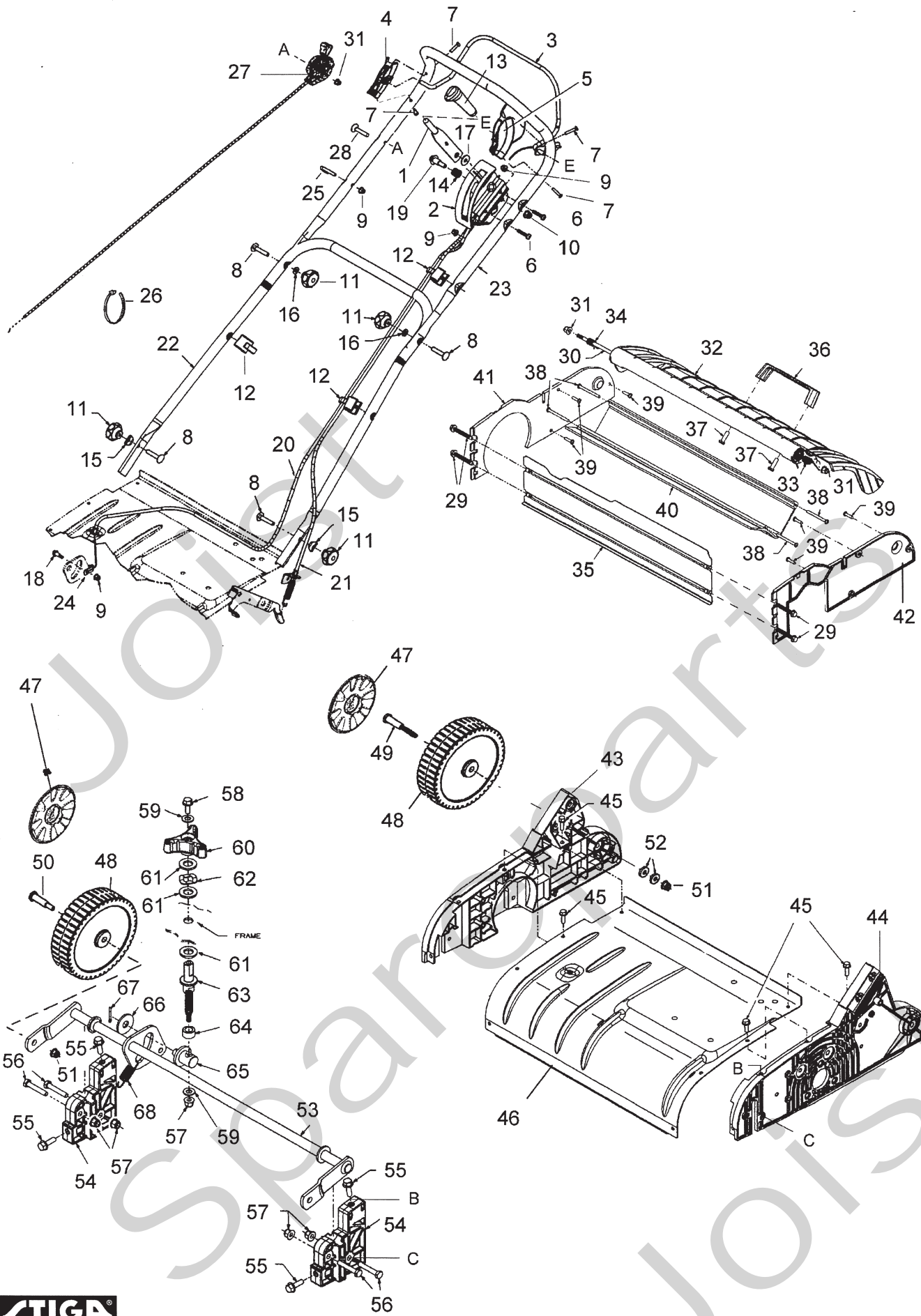


Genuine Spare Parts

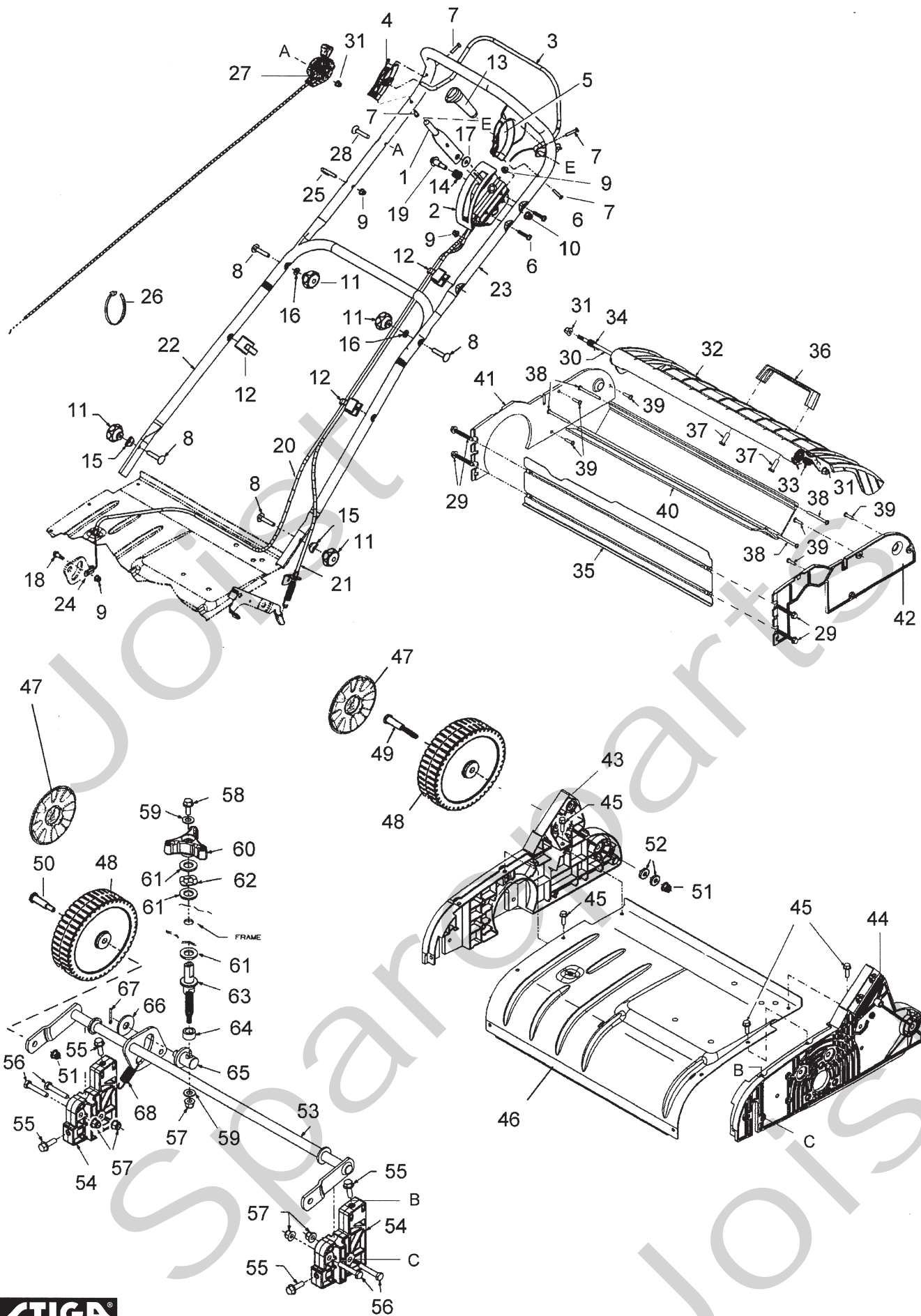


Joist
Spareparts
Joist



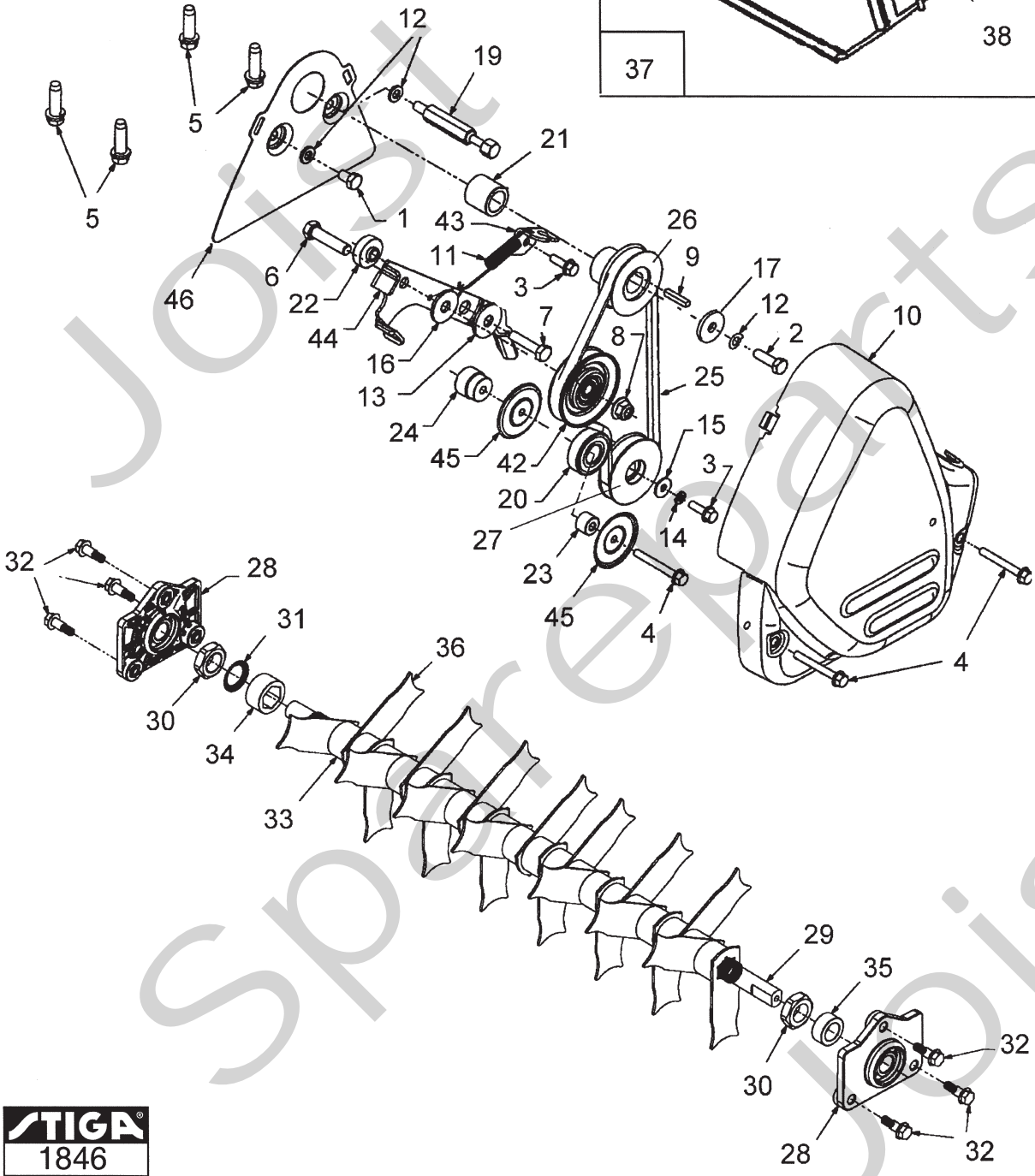
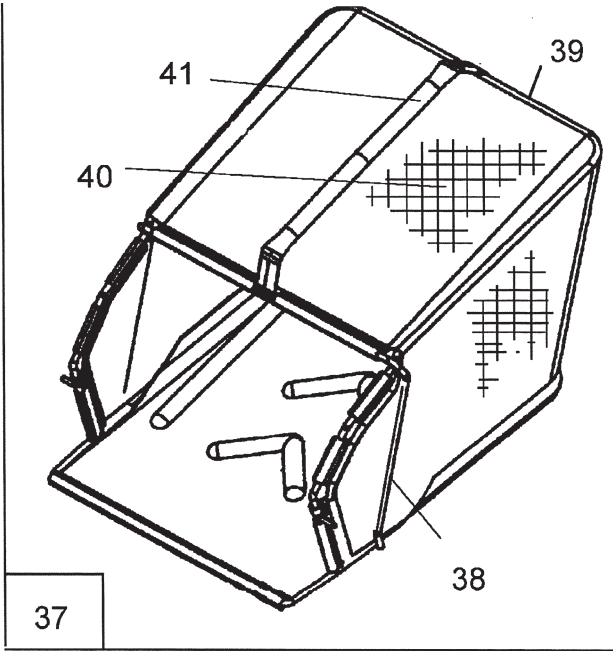
STIGA
1845
 SPARE PARTS

| Utgåva Issue | | Bildnr Picture No | | VT 40 VERTIKALSKÄRARE CHASSI | VT 40 SCARIFIER CHASSIS | Sida Page | | |
|-----------------|----------------|----------------------|--|------------------------------------|-------------------------------|---------------------------|-------------|---------------------|
| 2005-12 | | 1845 | | | | 218 | | |
| Pos. Fig. | Antal/Quantity | | | Art nr Part No | Benämning | Description | Sats Kit | Anmärkning Notes |
| | | | | | | | | |
| | 2413 | | | | | | | |
| X | 1 | 1 | | 1126-0207-01 | Spak | Lever | | |
| X | 2 | 1 | | 1126-0208-01 | Kåpa | Cover | | |
| X | 3 | 1 | | 1126-0209-01 | Manöverbygel | Control bail | | |
| X | 4 | 1 | | 1126-0210-01 | Fäste-hö | Bail mounting- RH | | |
| X | 5 | 1 | | 1126-0211-01 | Fäste-vä | Bail mounting- LH | | |
| | 6 | 2 | | 9948-0630-16 | Skruv | Screw | | |
| X | 7 | 4 | | 1126-0214-01 | Skruv | Screw | | |
| | 8 | 4 | | 9898-0845-12 | Skruv | Screw | | |
| | 9 | 4 | | 9747-0631-02 | Låsmutter | Lock nut | | |
| | 10 | 1 | | 9747-0831-02 | Mutter | Lock nut | | |
| X | 11 | 4 | | 1126-0226-01 | Låsratt | Locking knob | | |
| X | 12 | 3 | | 1126-0237-01 | Kabelhållare | Cable guide | | |
| X | 13 | 1 | | 1126-0317-01 | Handtag | Grip | | |
| X | 14 | 1 | | 1126-0255-01 | Fjäder | Spring | | |
| X | 15 | 2 | | 1811-2066-01 | Kupad bricka | Saddle washer | | |
| | 16 | 2 | | 9699-0090-02 | Planbricka | Flat washer | | |
| | 17 | 1 | | 9699-0090-02 | Planbricka | Flat washer | | |
| X | 18 | 1 | | 1126-0270-01 | Ansatsskruv | Shoulder screw | | |
| X | 19 | 1 | | 1126-0271-01 | Ansatsskruv | Shoulder screw | | |
| X | 20 | 1 | | 1126-0277-01 | Höjdställningswire | Height adjust cable | | |
| X | 21 | 1 | | 1126-0279-01 | Kopplingswire | Clutch cable | | |
| X | 22 | 1 | | 1126-0282-01 | Styre- underdel | Handle- lower | | |
| X | 23 | 1 | | 1126-0283-01 | Styre- överdel | Handle- upper | | |
| X | 24 | 1 | | 1126-0308-01 | Fäste | Cable retainer brkt | | |
| X | 25 | 1 | | 1126-0313-01 | Öglebult | Eye bolt | | |
| | 26 | 1 | | 9579-0008-00 | Buntband | Cable holder | | |
| X | 27 | 1 | | 1126-0278-01 | Gasreglage m.wire | Throttle control | | |
| | 28 | 1 | | 9948-0645-16 | Skruv | Screw | | |
| | 29 | 4 | | 9988-3545-12 | Skruv | Screw | | |
| X | 30 | 1 | | 1126-0219-01 | Stag | Rod | | |
| | 31 | 3 | | 9747-0631-02 | Låsmutter | Lock nut | | |
| X | 32 | 1 | | 1126-0236-01 | Deflektor | Deflector | | |
| X | 33 | 1 | | 1126-0253-01 | Vridfjäder- vä | Torsion spring- LH | | |
| X | 34 | 1 | | 1126-0254-01 | Vridfjäder- hö | Torsion spring- RH | | |
| X | 35 | 1 | | 1126-0306-01 | Ledplåt | Baffle | | |
| X | 36 | 1 | | 1126-0227-01 | Handtag | Grip | | |
| | 37 | 2 | | 9836-9618-12 | Skruv | Screw | | |
| X | 38 | 4 | | 1126-0215-01 | Skruv | Screw | | |
| | 39 | 6 | | 9847-7919-16 | Skruv | Screw | | |
| X | 40 | 1 | | 1126-0232-01 | Ledplåt- bakre | Baffle- rear | | |
| X | 41 | 1 | | 1126-0233-01 | Täckplåt- hö | Cover panel- RH | | |
| X | 42 | 1 | | 1126-0234-01 | Täckplåt- vä | Cover panel- LH | | |
| X | 43 | 1 | | 1126-0205-01 | Sidoram- vä | Side frame- LH | | |
| X | 44 | 1 | | 1126-0206-01 | Sidoram- hö | Side frame- RH | | |
| | 45 | 4 | | 9959-0620-16 | Skruv | Screw | | |
| X | 46 | 1 | | 1126-0305-01 | Ram | Frame | | |
| X | 47 | 4 | | 1126-0225-01 | Navkapsel | Wheel cap | | |
| X | 48 | 4 | | 1126-0260-01 | Hjul | Wheel | | |
| X | 49 | 2 | | 1126-0268-01 | Ansatsskruv | Shoulder screw | | |
| X | 50 | 2 | | 1126-0275-01 | Ansatsskruv | Shoulder screw | | |
| | 51 | 4 | | 9747-0831-02 | Mutter | Lock nut | | |
| X | 52 | 4 | | 1126-0263-01 | Bricka | Washer | | |
| X | 53 | 1 | | 1126-0203-01 | Inställningsaxel | Adjusting shaft | | |
| X | 54 | 2 | | 1126-0202-01 | Fäste | Bracket | | |
| | 55 | 4 | | 9959-0620-16 | Skruv | Screw | | |
| | 56 | 4 | | 9997-0635-12 | Skruv | Screw | | |
| | 57 | 5 | | 9747-0631-02 | Låsmutter | Lock nut | | |
| | 58 | 1 | | 9959-0616-16 | Skruv | Screw | | |
| | 59 | 2 | | 9699-0090-02 | Planbricka | Flat washer | | |
| X | 60 | 1 | | 1126-0224-01 | Inställningsratt | Knob | | |
| | 61 | 3 | | 9699-0037-02 | Bricka | Washer | | |
| | 62 | 1 | | 9694-0001-00 | Fjäderbricka | Washer | | |
| X | 63 | 1 | | 1126-0269-01 | Inställningsskruv | Adjusting screw | | |



STIGA
 1845
 SPARE PARTS

| Utgåva Issue 2005-12 | | Bildnr Picture No 1845 | | VT 40 VERTIKALSKÄRARE CHASSI | | VT 40 SCARIFIER CHASSIS | | Sida Page 220 | |
|----------------------------|----------------|------------------------------|--|------------------------------------|-----------------|-------------------------------|-------------|---------------------|--|
| Pos. Fig. | Antal/Quantity | | | Art nr Part No | Benämning | Description | Sats Kit | Anmärkning Notes | |
| | 2413 | | | | | | | | |
| X | 64 | 1 | | 1126-0291-01 | Distans | Spacer..... | | | |
| X | 65 | 1 | | 1126-0218-01 | Ledbult | Pivot pin..... | | | |
| | 66 | 1 | | 9699-0035-02 | Planbricka..... | Flat washer..... | | | |
| X | 67 | 1 | | 1811-2033-01 | Saxsprint | Cotter pin | | | |
| X | 68 | 1 | | 1126-0257-01 | Fjäder..... | Spring | | | |



STIGA
1846
SPARE PARTS

| Utgåva Issue | | Bildnr Picture No | | VT 40 VERTIKALSKÄRARE KNIVAR | VT 40 SCARIFIER BLADES | Sida Page | | |
|-----------------|----------------|----------------------|--|------------------------------------|------------------------------|---------------------------|-------------|---------------------|
| 2005- 12 | | 1846 | | | | 222 | | |
| Pos. Fig. | Antal/Quantity | | | Art nr Part No | Benämning | Description | Sats Kit | Anmärkning Notes |
| | 2413 | | | | | | | |
| X | 1 | 1 | | 9987-5113-16 | Skruv | Screw | | |
| | 2 | 1 | | 9987-5125-16 | Skruv | Screw | | |
| | 3 | 2 | | 9959-0620-16 | Skruv | Screw | | |
| X | 4 | 3 | | 1126-0212-01 | Skruv | Screw | | |
| | 5 | 4 | | 9997-0840-16 | Skruv | Screw | | |
| | 6 | 1 | | 9988-3738-12 | Skruv | Screw | | |
| | 7 | 1 | | 9997-0835-12 | Skruv | Screw | | |
| | 8 | 1 | | 1132-0695-01 | Mutter | Nut | | |
| X | 9 | 1 | | 1126-0221-01 | Kil | Key | | |
| X | 10 | 1 | | 1126-0235-01 | Remskydd | Belt cover | | |
| X | 11 | 1 | | 1126-0256-01 | Fjäder | Spring | | |
| | 12 | 3 | | 9683-0030-02 | Låsbricka | Lock washer | | |
| X | 13 | 1 | | 1126-0261-01 | Bricka | Washer | | |
| | 14 | 1 | | 9683-0025-02 | Låsbricka | Lock washer | | |
| | 15 | 1 | | 9699-0025-02 | Planbricka | Washer | | |
| | 16 | 1 | | 9699-0035-02 | Planbricka | Flat washer | | |
| X | 17 | 1 | | 1126-0267-01 | Planbricka | Flat washer | | |
| X | 19 | 1 | | 1126-0272-01 | Remstyrning | Belt return screw | | |
| | 20 | 1 | | 9549-0019-00 | Kullager | Ball bearing | | |
| X | 21 | 1 | | 1126-0289-01 | Distans | Spacer | | |
| X | 22 | 1 | | 1126-0290-01 | Distans | Spacer | | |
| X | 23 | 1 | | 1126-0292-01 | Distans | Spacer | | |
| X | 24 | 1 | | 1126-0293-01 | Distans | Spacer | | |
| X | 25 | 1 | | 1126-0295-01 | Kilrem | V-belt | | |
| X | 26 | 1 | | 1126-0297-01 | Motorremskiva | Engine pulley | | |
| X | 27 | 1 | | 1126-0298-01 | Remskiva | Belt pulley | | |
| X | 28 | 2 | | 1126-0204-01 | Lager | Bearing | | |
| X | 29 | 1 | | 1126-0217-01 | Axel | Shaft | | |
| X | 30 | 2 | | 1126-0220-01 | Mutter (vä-gänga) | Nut (LH-thread) | | |
| X | 31 | 1 | | 1126-0262-01 | Låsbricka | Lock washer | | |
| X | 32 | 6 | | 1126-0270-01 | Ansattsskruv | Shoulder screw | | |
| X | 33 | 20 | | 1126-0286-01 | Distans | Spacer | | |
| X | 34 | 1 | | 1126-0287-01 | Distans | Spacer | | |
| X | 35 | 1 | | 1126-0288-01 | Distans | Spacer | | |
| X | 36 | 21 | | 1126-0304-01 | Kniv | Blade | | |
| X | 37 | 1 | | .26-9924-11 | Uppsamlare kpl. | Collecting bag assy | | Tillbehör/Accessory |
| X | 38 | 1 | | 1126-0300-01 | • Säckram | • Bag frame | | |
| X | 39 | 1 | | 1126-0301-01 | • Ramrör | • Frame tube | | |
| X | 40 | 1 | | 1126-0302-01 | • Uppsamlingsäck | • Bag | | |
| X | 41 | 1 | | 1126-0303-01 | • Handtag | • Handle | | |
| X | 42 | 1 | | 1126-0299-01 | Spännrulle | Tension roller | | |
| X | 43 | 1 | | 1126-0307-01 | Fäste | Mounting bracket | | |
| X | 44 | 1 | | 1126-0309-01 | Spännarm | Idler arm | | |
| X | 45 | 2 | | 1126-0310-01 | Lagerbricka | Bearing washer | | |
| X | 46 | 1 | | 1126-0311-01 | Skyddsplåt | Pulley guard | | |