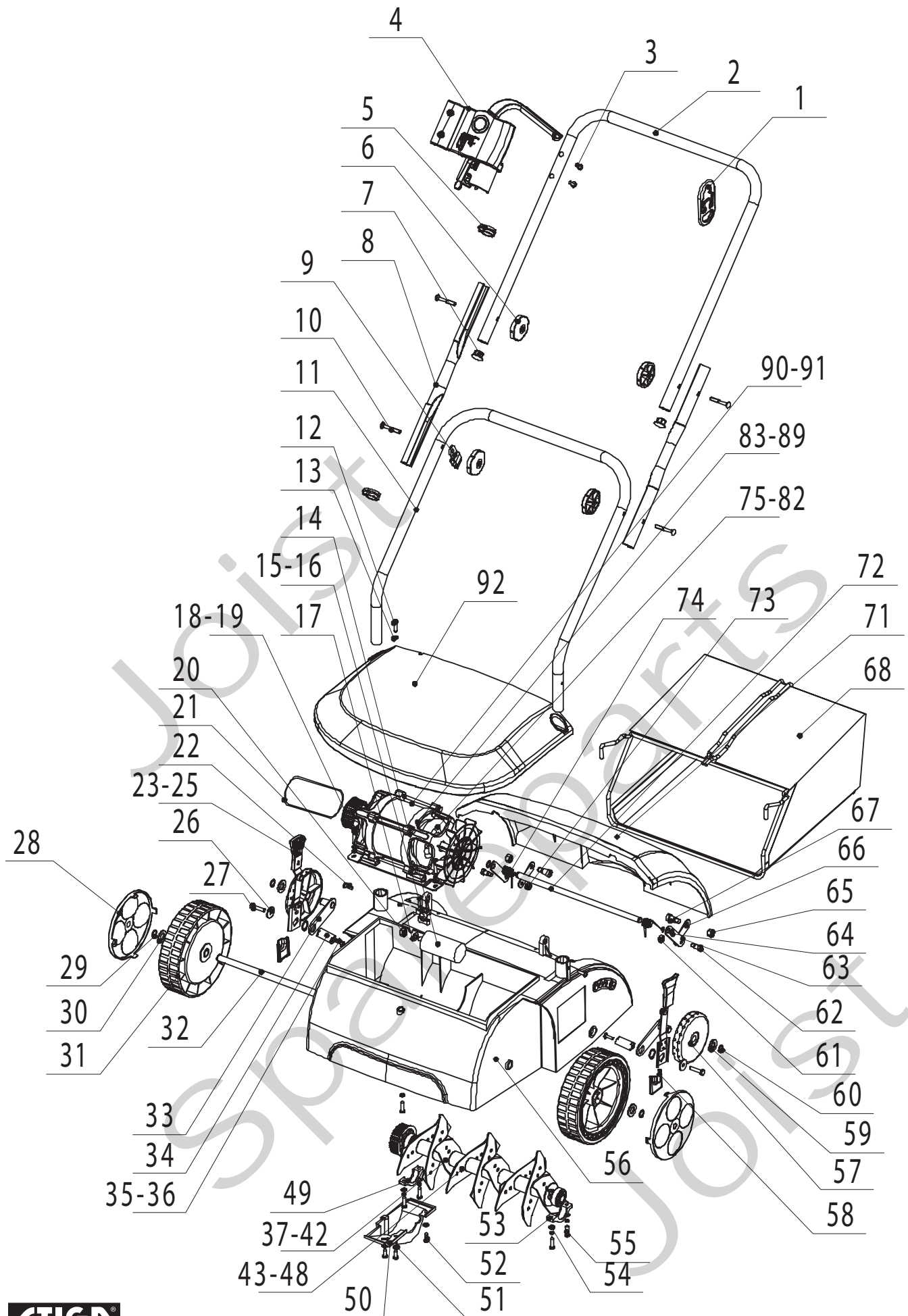


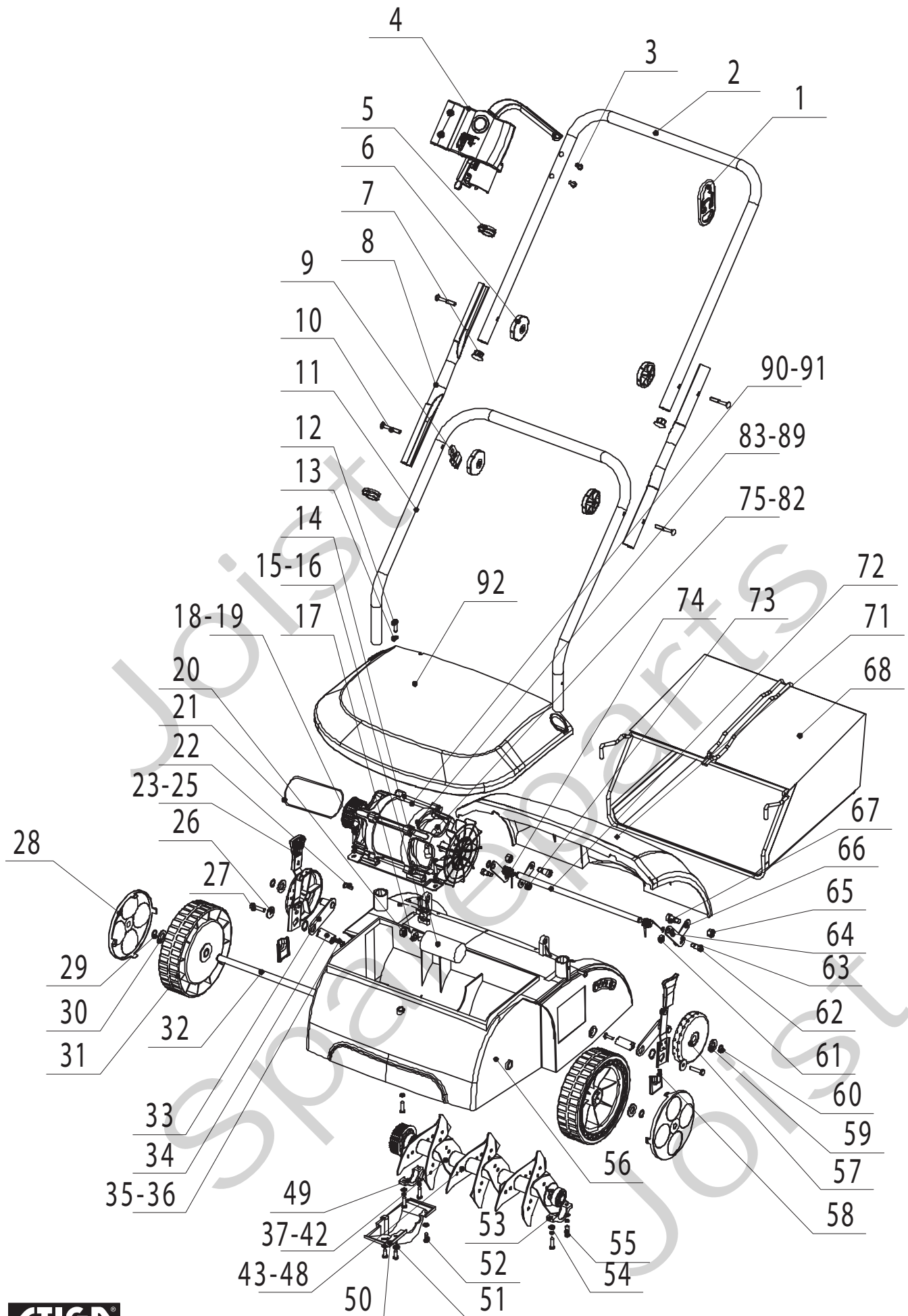
Genuine Spare Parts



Joist
Spareparts
Joist



Utgåva Issue		Bildnr Picture No		VE 30 VERTIKALSKÄRARE		VE 30 SCARIFIER		Sida Page	
2008- 12		2321						254	
Pos. Fig.	Antal/Quantity				Art nr Part No	Benämning	Description	Sats Kit	Anmärkning Notes
	2510 -32	2512 -13							
X	1	1			1716-0192-01	Kabelhållare	Cable- kink protection		
	2	1			1716-0252-01	Styre- överdel	Handle- upper		
	3	2			9847-8016-16	Skruv	Screw		
	4	1			1811-2349-01	Brytare	Switch		
X	5	2			1716-0225-01	Kabelhållare	Cable holder		
X	6	4			1716-0238-01	Lås ratt	Handle knob		
X	7	2			1716-0224-01	Plugg	Plug		
X	8	2			1716-0248-01	Styrrör	Handle tube		
X	9	1			1716-0226-01	Kabelhållare	Cable clamp		
	10	4			9898-0645-12	Skruv	Screw		
X	11	1			1716-0253-01	Styre- underdel	Handle- lower		
	12	3			1716-0006-01	Skruv	Screw		
	13	3			1716-0009-01	Bricka	Washer		
X	14	1			1716-0220-01	Kondensator	Capacitor		
	15	2			9847-7916-16	Skruv	Screw		
	16	1			1716-0014-01	Kabelklämma	Cable clip		
	17	1			9683-0030-02	Låsbricka	Lock washer		
	18	4			1716-0007-01	Skruv	Screw		
	19	4			9683-0015-02	Låsbricka	Lock washer		
	20	1			9799-0831-02	Mutter	Nut		
X	21	1			1716-0221-01	Drivrem	Belt		
	22	2			1716-0007-01	Skruv	Screw		
X	23	2			1716-0234-01	Handtag	Handle		
X	24	6			1716-0223-01	Nit	Rivet		
X	25	2			1716-0254-01	Anslutning- handtag	Connector		
	26	2			9699-0087-02	Planbricka	Flat washer		
	27	2			9997-0510-16	Skruv	Screw		
	28	2			1716-0054-01	Navkapsel- gul	Wheel cover- yellow		
	29	2			9650-0012-04	Seegersäkkring	Circlip		
	30	2			9699-0069-02	Planbricka	Flat washer		
	31	2			1716-0053-01	Hjul	Wheel		
X	32	1			1716-0247-01	Hjulaxel- fram	Wheel shaft- front		
X	33	2			1716-0256-01	Hjulfäste- bak	Wheel support- rear		
X	34	2			1716-0255-01	Hjulaxel- bak	Wheel shaft- rear		
	35	2			9950-0510-16	Skruv	Screw		
X	36	2			1716-0257-01	Klämma- bakaxel	Clip- rear wheel axle		
X	37	1			1716-0214-01	Bult	Bolt		
	38	1			1716-0012-01	Fjäderbricka	Spring washer		
	39	1			9699-0060-02	Planbricka	Flat washer		
X	40	1			1716-0251-01	Remskiva	Sub drive wheel		
	41	2			9549-0044-00	Kullager	Ball bearing		
X	42	2			1716-0222-01	Spännstift	Elastic column pin		
X	43	1			1716-0219-01	Fjäder	Spring		
X	44	2			1716-0217-01	Bricka	Washer		
	45	9			1716-0042-01	Knivsats	Blade kit		
X	46	8			1716-0250-01	Knivdistans	Blade spacer		
X	47	1			1716-0249-01	Knivaxel	Blade shaft		
	48	1			9650-0015-04	Låsring	Lock ring		
X	49	1			1716-0230-01	Lagerkåpa- vä	Bearing cover- LH		
X	50	1			1716-0229-01	Kåpa	Cover		
	51	3			1716-0009-01	Bricka	Washer		
	52	3			9847-8016-16	Skruv	Screw		
X	53	1			1716-0228-01	Lagerkåpa- hö	Bearing cover- RH		
	54	4			1716-0009-01	Bricka	Washer		
	55	4			1716-0006-01	Skruv	Screw		
X	56	1			1716-0233-01	Chassi	Chassis		
X	57	2			1716-0231-01	Hjul- bak	Wheel- rear		
X	58	2			1716-0235-01	Täckkåpa	Handle cover		
	59	2			9699-0069-02	Planbricka	Flat washer		
	60	2			9650-0012-04	Seegersäkkring	Circlip		
X	61	1			1716-0246-01	Fjäder- hö	Wrest spring- RH		
X	62	2			1716-0215-01	Bult	Middle bolt		
X	63	2			1716-0258-01	Stag	Middle connector		



Utgåva Issue		Bildnr Picture No		VE 30 VERTIKALSKÄRARE		VE 30 SCARIFIER		Sida Page	
2008- 12		2321						256	
Pos. Fig.	Antal/Quantity				Art nr Part No	Benämning	Description	Sats Kit	Anmärkning Notes
	2510 -32	2512 -13							
	64	2			9650-0010-04	Spårring.....	Lock ring.....		
	65	2			9799-0831-02	Mutter.....	Nut.....		
X	66	2			1716-0259-01	Stag-lucka.....	Back cover connector.....		
X	67	2			1716-0216-01	Ansatsbult.....	Column bolt.....		
X	68	1			26-9934-11	Uppsamlare kpl.....	Collector assy.....		
X	71	1			1716-0236-01	Lucka- gul.....	Flap- yellow.....		
X	72	1			1716-0245-01	Pivotaxel- lucka.....	Locating lever.....		
	73	2			9799-0631-02	Mutter.....	Nut.....		
X	74	1			1716-0244-01	Fjäder- vä.....	Wrest spring- LH.....		
	75	1			1716-0035-01	Skruv.....	Screw.....		
X	76	1			1716-0227-01	Remskiva- motor.....	Main drive wheel.....		
X	77	1			1716-0239-01	Frontplatta.....	Front plate.....		
X	78	1			1716-0240-01	Rotor.....	Rotor.....		
X	79	1			1716-0241-01	Stator.....	Stator.....		
	80	2			9549-0044-00	Kullager.....	Ball bearing.....		
X	81	1			1716-0218-01	Vågbricka.....	Wave gasket.....		
X	82	1			1716-0243-01	Bakstycke.....	Rear plate.....		
	83	4			1716-0009-01	Bricka.....	Washer.....		
	84	4			9683-0015-02	Låsbricka.....	Lock washer.....		
	85	4			1716-0122-01	Bult.....	Bolt.....		
X	86	1			1716-0237-01	Fläkt.....	Fan.....		
	87	1			9650-0015-04	Låsring.....	Lock ring.....		
X	88	1			1716-0242-01	Motorplatta.....	Motor base.....		
	89	4			9699-0060-02	Planbricka.....	Flat washer.....		
	90	4			1716-0012-01	Fjäderbricka.....	Spring washer.....		
X	91	4			1716-0214-01	Bult.....	Bolt.....		
X	92	1			1716-0232-01	Kåpa- gul.....	Cover- yellow.....		