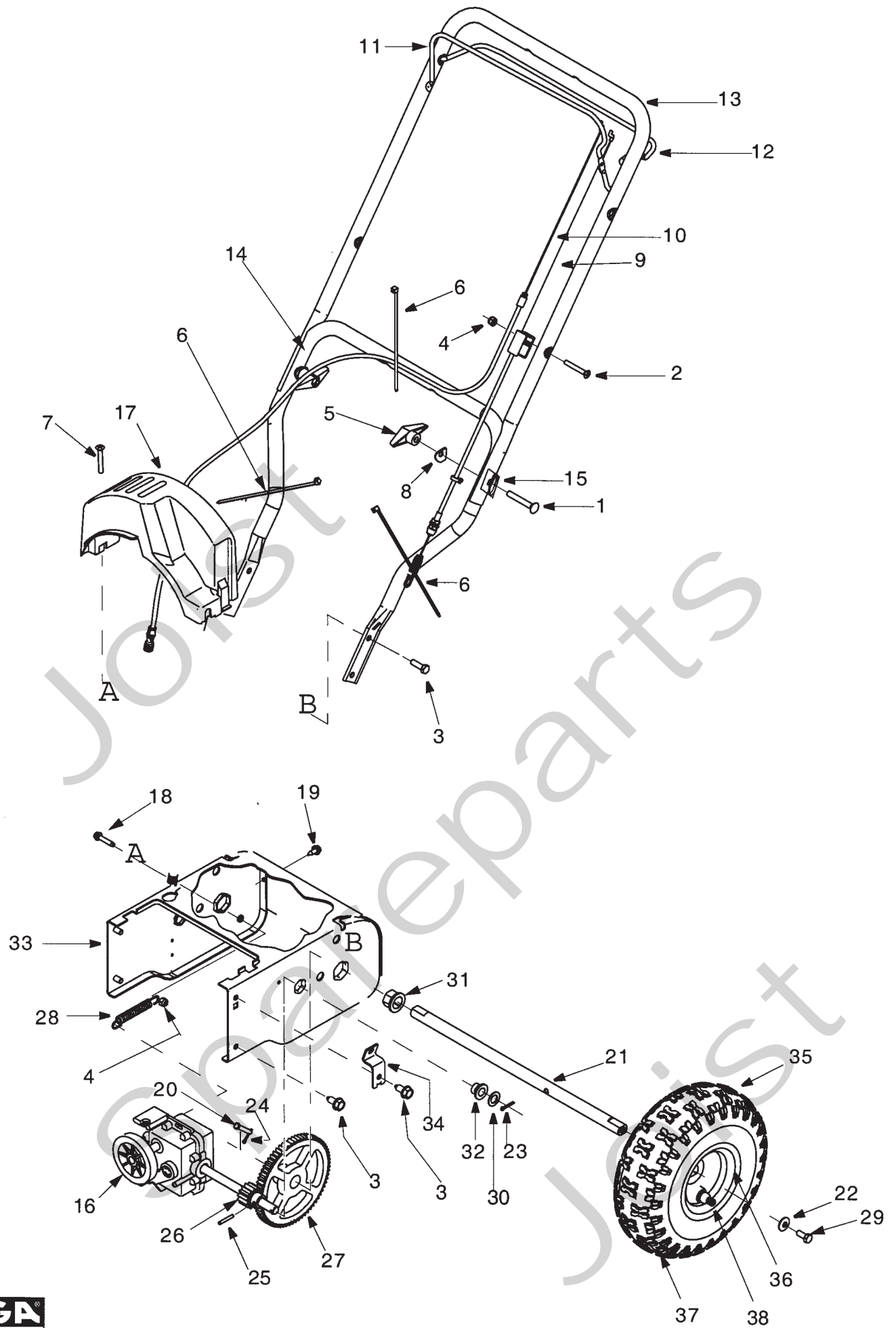


# Genuine Spare Parts

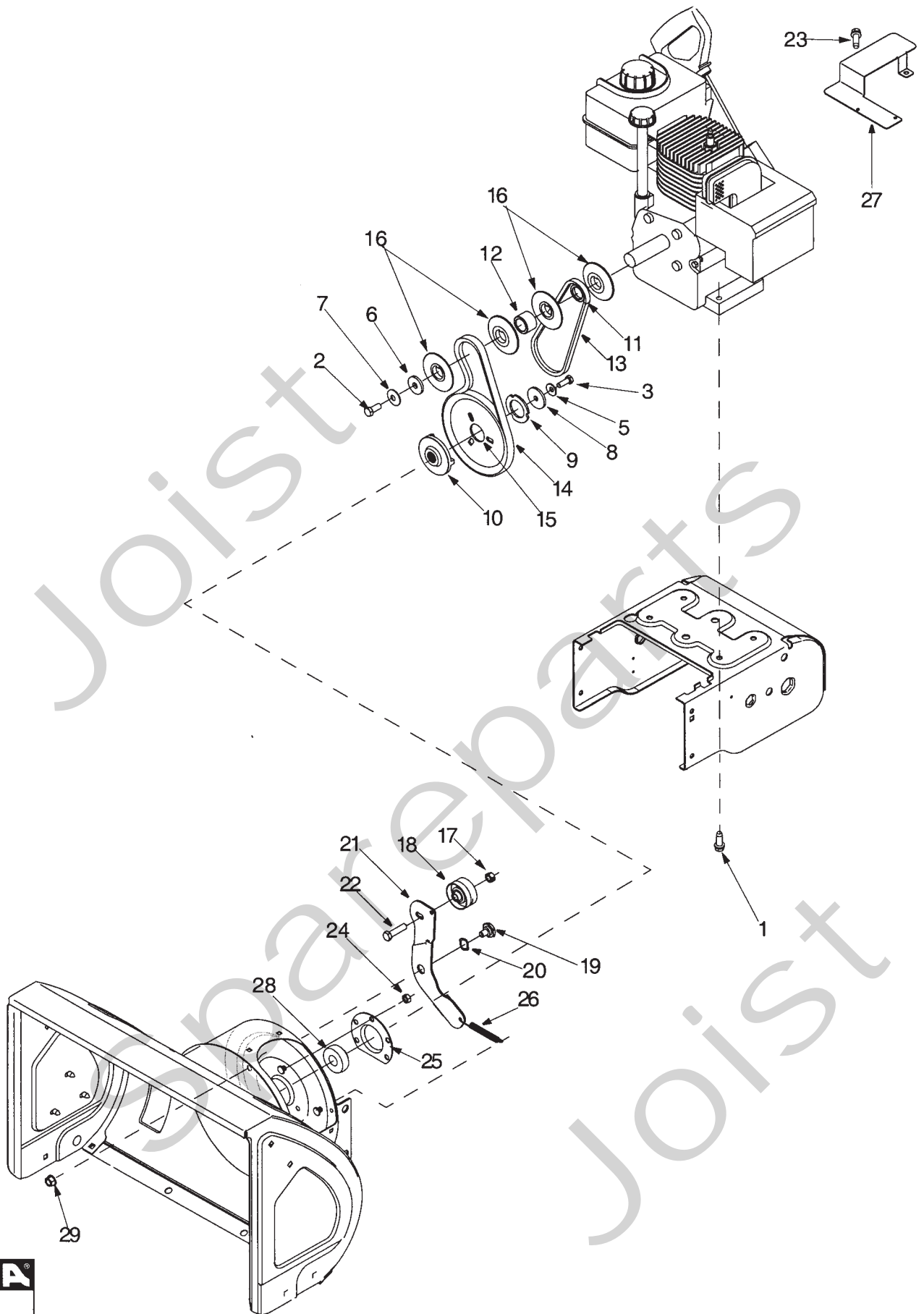
---



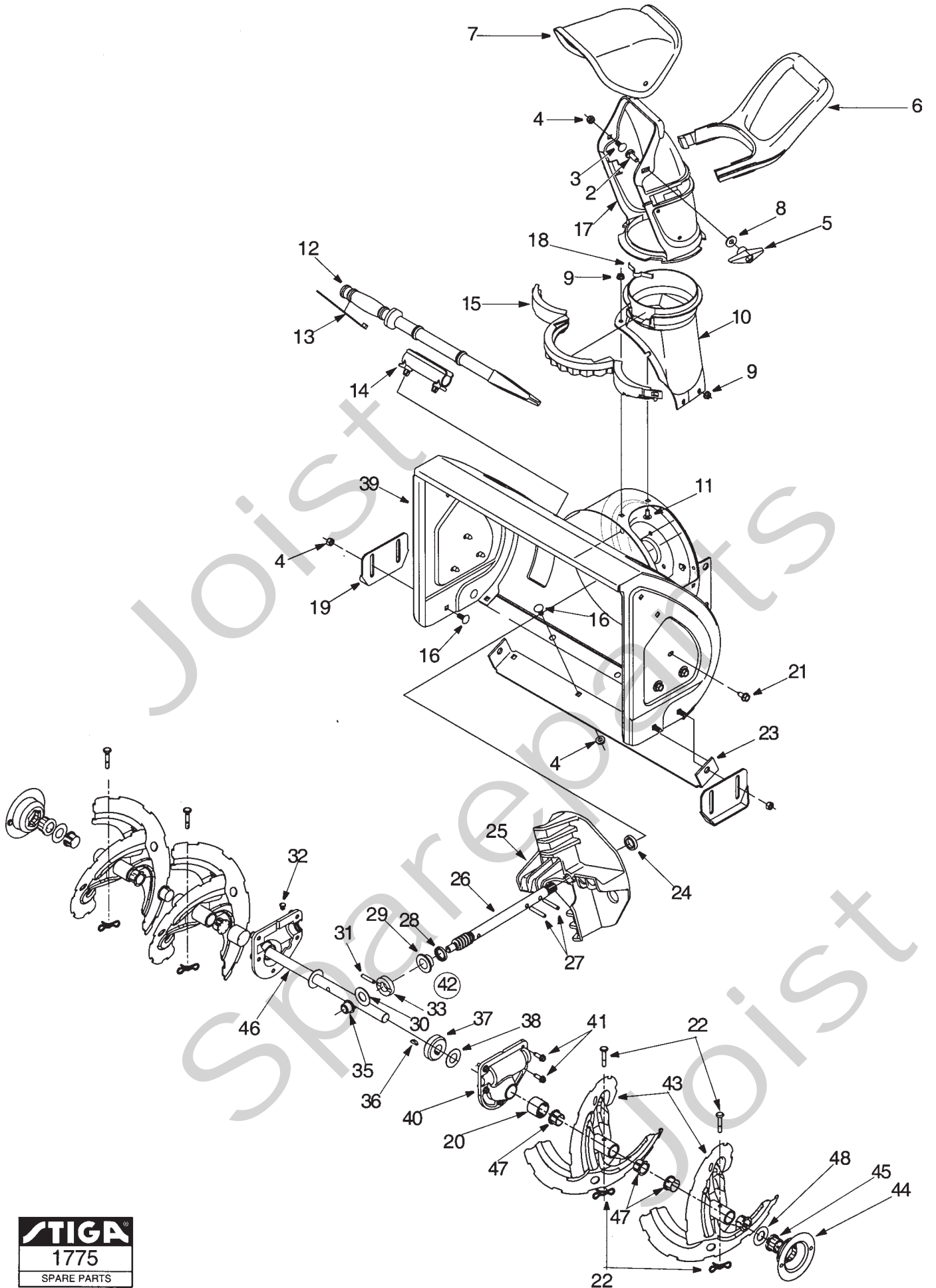
Joist  
Spareparts  
Joist



Utgåva Issue		Bildnr Picture No		SNOW FALL STYRE DRIVNING		SNOW FALL HANDLE DRIVE		Sida Page	
2004-14		1773						32	
Pos. Fig.	Antal/Quantity			Art nr Part No	Benämning	Description	Sats Kit	Anmärkning Notes	
	2828								
X	1	2		1811-2019-01	Vagnsbult .....	Carriage bolt .....			
	2	1		9988-3551-12	Skruv .....	Screw .....			
X	3	6		1811-2023-01	Skruv .....	Hex bolt .....			
	4	2		9743-3521-32	Mutter .....	Nut .....			
X	5	2		1811-2042-01	Låsratt .....	Knob .....			
	6	3		9579-0008-00	Buntband .....	Cable holder .....			
X	7	2		1811-2018-01	Skruv .....	Hex bolt .....			
X	8	2		1811-2066-01	Kupad bricka .....	Saddle washer .....			
X	9	1		1811-2080-01	Reglagewire- snöskruv .....	Control cable- auger .....			
X	10	1		1811-2081-01	Reglagewire- drivning .....	Control cable- drive .....			
X	11	1		1811-2082-01	Reglagebygel .....	Control bail .....			
X	12	1		1811-2083-01	Reglagebygel .....	Control bail- drive .....			
X	13	1		1811-2086-01	Styre- överdel .....	Handle- upper .....			
X	14	1		1811-2085-01	Styre- underdel .....	Handle- lower .....			
X	15	2		1811-2100-01	Styrförstärkning .....	Handle tab .....			
X	16	1		1811-2011-01	Transmission kpl .....	Transmission assy .....			
X	17	1		1811-2046-01	Remskydd .....	Belt cover .....			
X	18	1		1811-2024-01	Skruv .....	Screw .....			
X	19	2		1811-2026-01	Skruv .....	Screw .....			
X	20	1		1811-2029-01	Sprint .....	Clevis pin .....			
X	21	1		1811-2073-01	Axel .....	Axle .....			
X	22	2		1811-2062-01	Bricka .....	Bell washer .....			
X	23	2		1811-2030-01	Saxsprint .....	Cotter pin .....			
X	24	1		1811-2033-01	Saxsprint .....	Cotter pin .....			
X	25	1		1811-2034-01	Stift .....	Roll pin .....			
X	26	1		1811-2037-01	Drev .....	Pinion .....	14T		
X	27	1		1811-2038-01	Drev .....	Gear .....	70T		
X	28	1		1811-2057-01	Fjäder .....	Extension spring .....			
	29	2		9987-5119-16	Skruv .....	Screw .....			
X	30	2		1811-2061-01	Låsbricka .....	Lock washer .....			
X	31	2		1811-2074-01	Flänslager .....	Flange bearing .....			
X	32	2		1811-2076-01	Flänslager .....	Flange bearing .....			
X	33	1		1811-2095-01	Chassi .....	Drive housing frame .....			
X	34	1		1811-2099-01	Wirefäste .....	Cable bracket .....			
X	35	2		1811-2013-01	Hjul kpl .....	Wheel assy .....			
X	36	1		1811-2052-01	• Fälg .....	• Rim .....			
X	37	1		1811-2059-01	• Däck .....	• Tire .....		4.10-3 (10x4")	
X	38	1		9545-0500-00	• Ventil .....	• Valve .....			
X	99	1		8218-2205-01	Bruksanvisning .....	Owner's manual .....		Ej ill/not ill.	



Utgåva Issue		Bildnr Picture No		SNOW FALL REMTRANSMISSION	SNOW FALL BELT TRANSMISSION	Sida Page		
2004- 14		1774				34		
Pos. Fig.	Antal/Quantity			Art nr Part No	Benämning	Description	Sats Kit	Anmärkning Notes
	2828							
X	1	4		1811-2022-01	Skruv .....	Screw .....		
	2	1		9987-5222-16	Skruv .....	Screw .....		
X	3	1		1811-2025-01	Låsbult .....	Lock bolt .....		
X	5	1		1811-2062-01	Bricka .....	Bell washer .....		
X	6	1		1811-2063-01	Planbricka .....	Flat washer .....		
X	7	1		1811-2064-01	Bricka .....	Bell washer .....		
X	8	1		1811-2067-01	Planbricka .....	Flat washer .....		
X	9	1		1811-2068-01	Specialbricka .....	Special washer .....		
X	10	1		1811-2084-01	Adapter- remskiva .....	Pulley adapter .....		
X	11	1		1811-2088-01	Distans .....	Spacer .....		
X	12	1		1811-2089-01	Distans .....	Spacer .....		
X	13	1		1811-2090-01	Kilrem .....	V- belt .....		
X	14	1		1811-2091-01	Kilrem .....	V- belt .....		
X	15	1		1811-2092-01	Remskiva snöskruv .....	Auger pulley .....		
X	16	4		1811-2094-01	Remskivshalva .....	Pulley half .....		
	17	1		9743-3721-32	Mutter .....	Nut .....		
X	18	1		1811-2093-01	Spännrulle .....	Flat idler .....		
X	19	1		1811-2071-01	Ansattsskruv .....	Shoulder screw .....		
X	20	1		1811-2060-01	Vågbricka .....	Wave washer .....		
X	21	1		1811-2096-01	Spännarm .....	Auger idler bracket .....		
	22	1		9988-3738-12	Skruv .....	Screw .....		
X	23	1		1811-2020-01	Skruv .....	Hex bolt .....		
	24	5		9795-3631-02	Mutter .....	Nut .....		
X	25	1		1811-2102-01	Lagerhus .....	Bearing housing .....		
X	26	1		1811-2058-01	Fjäder .....	Extension spring .....		
X	27	1		1811-2101-01	Värmeskydd .....	Heat shield .....		
X	28	1		1811-2075-01	Kullager .....	Ball bearing .....		
X	29	1		1132-0695-01	Mutter .....	Nut .....		



Utgåva Issue		Bildnr Picture No		SNOW FALL SNÖSKRUV UTKAST	SNOW FALL AUGER CHUTE	Sida Page		
2004-14		1775				36		
Pos. Fig.	Antal/Quantity			Art nr Part No	Benämning	Description	Sats Kit	Anmärkning Notes
	2828							
	2	1		9899-3625-16	Skruv .....	Screw .....		
	3	1		9899-3622-16	Skruv .....	Screw .....		
	4	9		9795-3631-02	Mutter .....	Nut .....		
X	5	1		1811-2042-01	Låsrott .....	Knob .....		
X	6	1		1811-2049-01	Utkasthandtag .....	Chute handle .....		
X	7	1		1811-2050-01	Utkastskärm .....	Upper chute .....		
	8	1		9699-0029-02	Planbricka .....	Flat washer .....		
	9	4		9743-3521-32	Mutter .....	Nut .....		
X	10	1		1811-2054-01	Utkast- nedre .....	Lower chute .....		
	11	4		9899-3516-16	Skruv .....	Screw .....		
X	12	1		1811-2055-01	Rengöringsverktyg .....	Chute clean out tool .....		
	13	1		9579-0008-00	Buntband .....	Cable holder .....		
X	14	1		1811-2053-01	Fäste .....	Mounting bracket .....		
X	15	1		1811-2048-01	Utkastring .....	Lower chute ring .....		
	16	8		9899-3622-16	Skruv .....	Screw .....		
X	17	1		1811-2045-01	Utkaströr .....	Lower chute .....		
X	18	1		1811-2056-01	Fjäder .....	Spring .....		
X	19	2		1811-2097-01	Släpsko .....	Skid shoe .....		
X	20	2		1811-2051-01	Distans .....	Spacer .....		
X	21	6		1811-2023-01	Skruv .....	Hex bolt .....		
X	22	2		1811-9011-01	Brytbultsats .....	Shear pin kit .....	Sats 2 st/kit of 2	
X	23	1		1811-2103-01	Skrapskär .....	Shave plate .....		
X	24	1		1811-2087-01	Distans .....	Spacer .....		
X	25	1		1811-2047-01	Fläkt .....	Impeller .....		
X	26	1		1811-2040-01	Axel .....	Worm shaft .....		
X	27	2		1811-2035-01	Spännstift .....	Spiral pin .....		
X	28	1		1811-2044-01	• Tätningring .....	• Oil seal .....		
X	29	1		1811-2078-01	• Flänslager .....	• Flange bearing .....		
X	30	1		1811-2070-01	• Planbricka .....	• Flat washer .....		
X	31	1		1811-2036-01	• Spännstift .....	• Spiral pin .....		
X	32	1		1811-2043-01	• Plugg .....	• Plug .....		
X	33	1		1811-2041-01	• Ring .....	• Thrust collar .....		
X	35	1		1811-2079-01	• Flänslager .....	• Flange bearing .....		
X	36	1		1811-2031-01	• Kil .....	• Key .....		
X	37	1		1811-2039-01	• Snäckdrev .....	• Worm gear .....	20T	
X	38	2		1811-2065-01	• Planbricka .....	• Flat washer .....		
X	39	1		1811-2015-01	Snöskruvhus .....	Auger housing .....		
X	40	1		1811-2010-01	• Hus- vä .....	• Housing- LH .....		
X	40A	1		1811-2009-01	• Hus- hö .....	• Housing- RH .....		
X	41	5		1811-2021-01	• Skruv .....	• Screw .....		
X	42	1		1811-2012-01	Snäckväxel kpl .....	Gearbox assy .....		
X	43	2		1811-2016-01	Snöskruv- vä .....	Auger- LH .....		
X	43A	2		1811-2017-01	Snöskruv- hö .....	Auger- RH .....		
X	44	2		1811-2098-01	Lagerhus .....	Bearing housing .....		
X	45	2		1811-2074-01	Flänslager .....	Flange bearing .....		
X	46	1		1811-2028-01	Snöskruvaxel .....	Auger axle .....		
X	47	8		1811-2077-01	Flänsbussning .....	Flange bushing .....		
X	48	2		1811-2065-01	Planbricka .....	Flat washer .....		