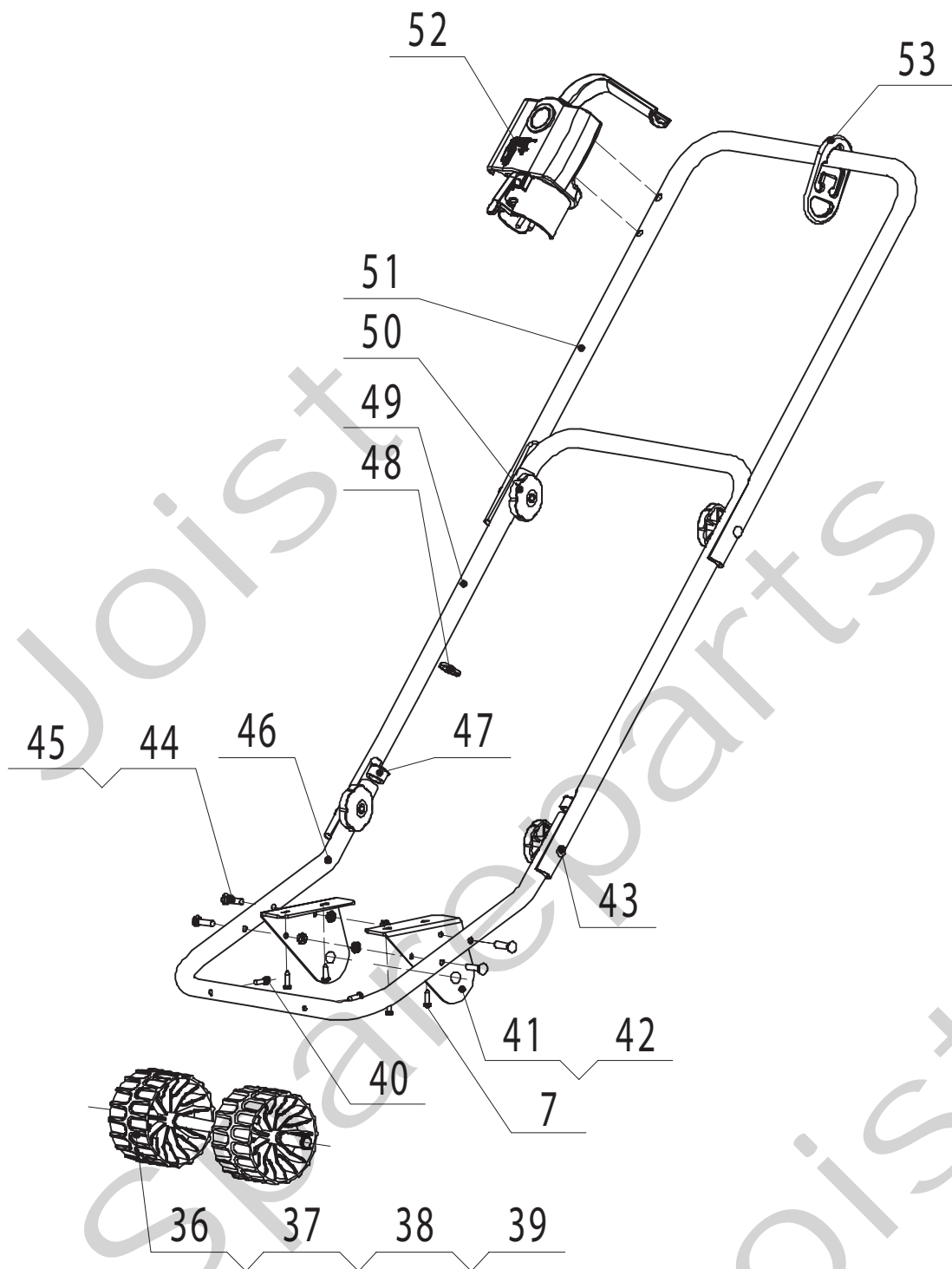


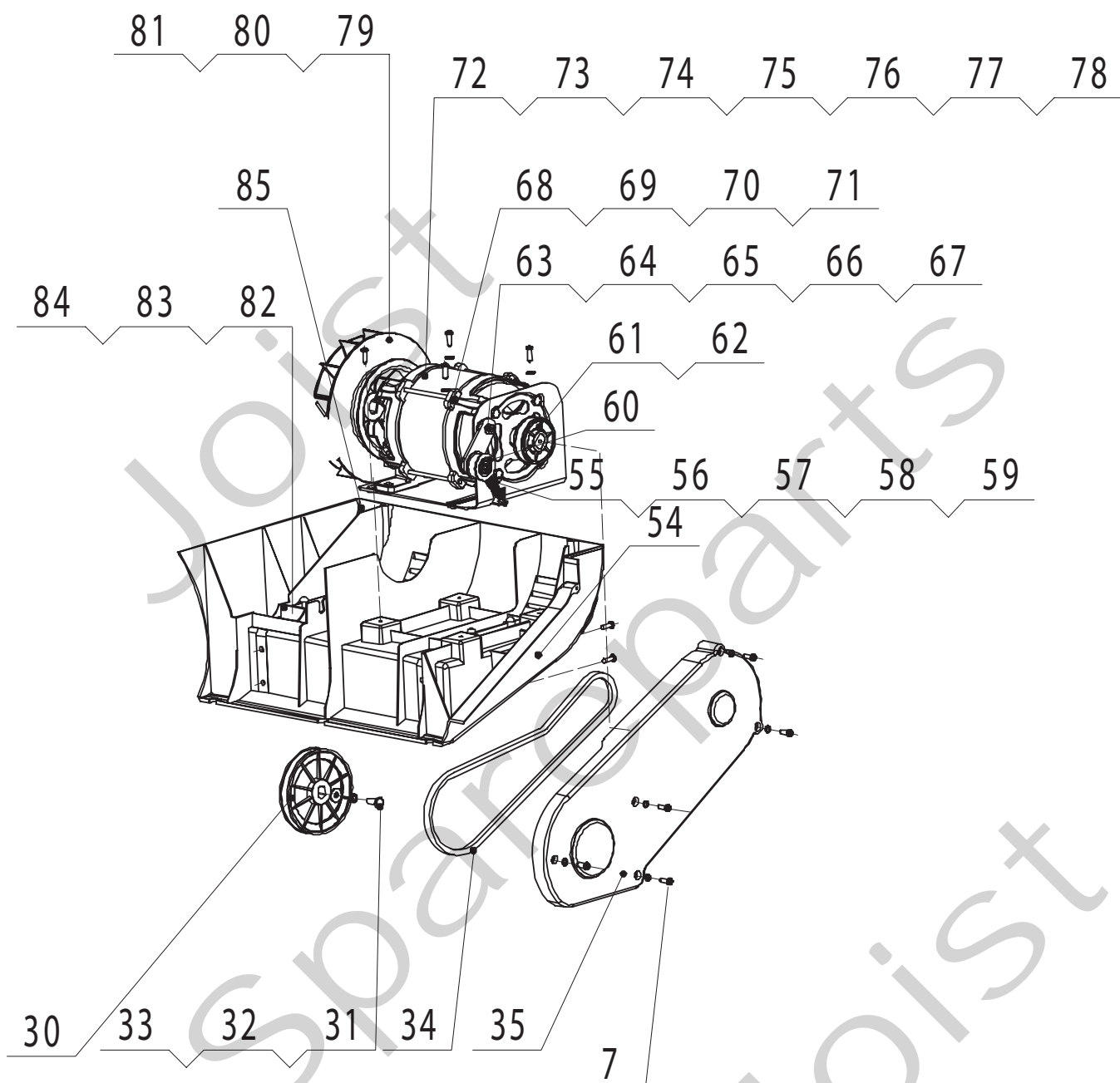
Genuine Spare Parts



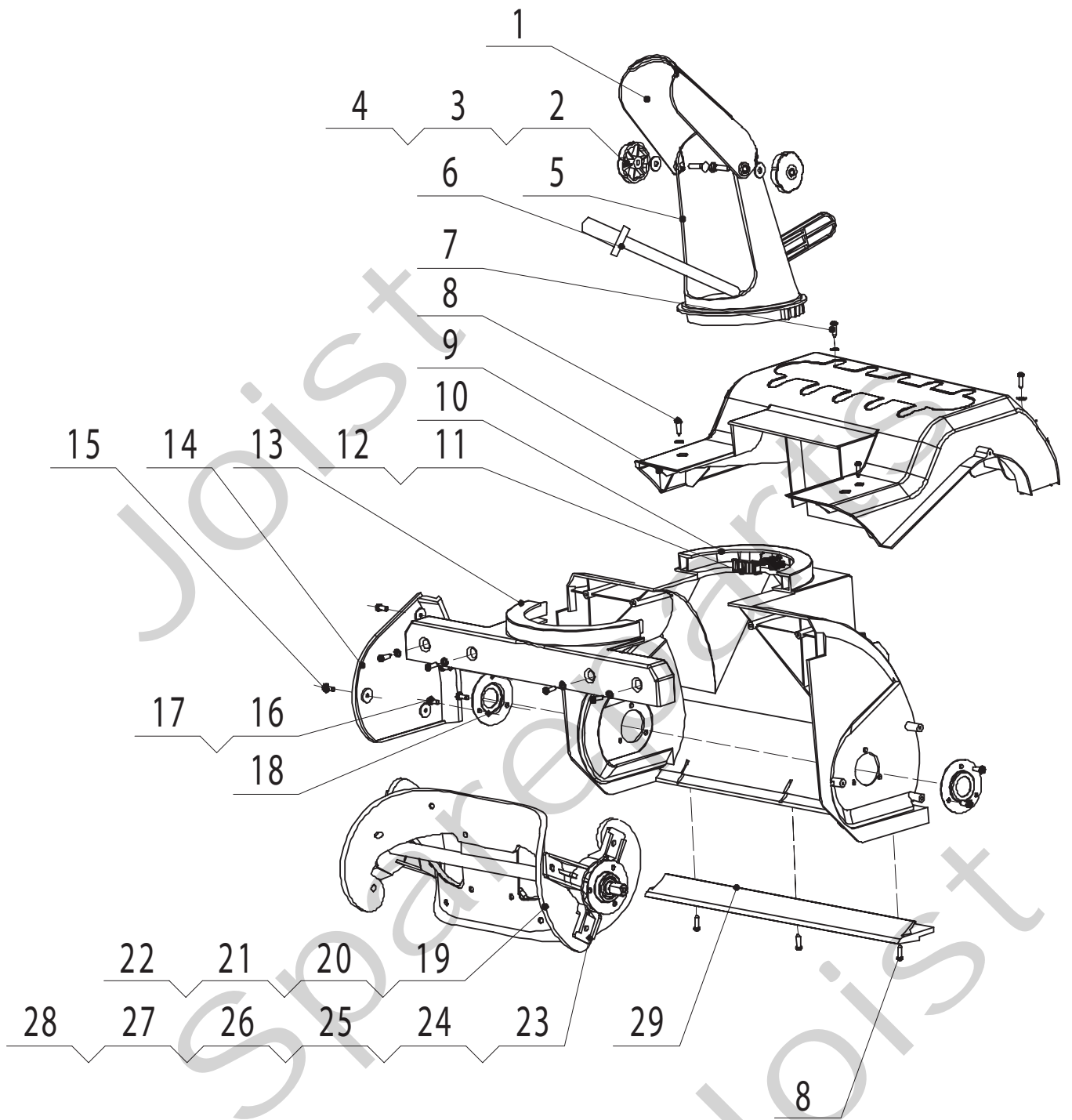
Joist
Spareparts
Joist



Utgåva Issue		Bildnr Picture No		SNOW ELECTRIC 2000 STYRE		SNOW ELECTRIC 2000 HANDLE		Sida Page	
2007-14		2322						8	
Pos. Fig.	Antal/Quantity				Art nr Part No	Benämning	Description	Sats Kit	Anmärkning Notes
	2806 -28								
X	7	4			1811-2301-01	Skruv.....	Screw.....		
X	36	2			1811-2360-01	Hjul.....	Wheel.....		
X	37	1			1811-2379-01	Hjulaxel.....	Wheel shaft.....		
	38	6			9650-0012-04	Seegersäkring.....	Circlip.....		
	39	6			9699-0115-02	Bricka.....	Washer.....		
	40	2			9849-8032-16	Skruv.....	Screw.....		
X	41	1			1811-2373-01	Hjulplåt- vä.....	Wheel plate- LH.....		
X	42	1			1811-2374-01	Hjulplåt- hö.....	Wheel plate- RH.....		
	43	4			1716-0003-01	Skruv.....	Screw.....		
	44	4			9997-0535-12	Skruv.....	Screw.....		
	45	4			9747-0531-02	Mutter.....	Nut.....		
X	46	1			1811-2383-01	Styre- underdel.....	Handle- lower.....		
X	47	4			1716-0224-01	Plugg.....	Plug.....		
X	48	2			1716-0225-01	Kabelhållare.....	Cable holder.....		
X	49	1			1811-2382-01	Styre- mellandel.....	Handle- middle.....		
	50	4			1811-2317-01	Lås ratt.....	Locking knob.....		
X	51	1			1811-2381-01	Styre- överdel.....	Handle- upper.....		
	52	1			1811-2349-01	Brytare.....	Switch.....		
X	53	1			1716-0192-01	Kabelhållare.....	Cable- kink protection.....		
X	99	1			8218-2218-80	Bruksanvisning.....	Owner's manual.....		Ej ill/not ill.



Utgåva Issue		Bildnr Picture No		SNOW ELECTRIC 2000 TRANSMISSION		SNOW ELECTRIC 2000 TRANSMISSION		Sida Page	
2007-14		2323						10	
Pos. Fig.	Antal/Quantity				Art nr Part No	Benämning	Description	Sats Kit	Anmärkning Notes
	2806 -28								
	7	5			1811-2301-01	Skruv.....	Screw.....		
	30	1			1811-2322-01	Remskiva.....	Drive wheel.....		
	31	1			9948-0616-16	Skruv.....	Screw.....		
	32	1			9699-0060-02	Planbricka.....	Flat washer.....		
	33	1			9683-0025-02	Låsbricka.....	Lock washer.....		
X	34	1			1811-2356-01	Drivrem.....	Drive belt.....		
X	35	1			1811-2371-01	Remskydd.....	Belt cover.....		
X	54	1			1811-2367-01	Chassi.....	Chassis.....		
	55	1			1811-2339-01	Fjäder- spännarm.....	Spring- tension arm.....		
	56	1			1811-2338-01	Spännrullaxel.....	Tension roller shaft.....		
	57	2			1811-2300-01	Kullager.....	Ball bearing.....		
X	58	1			1811-2364-01	Spännrulle.....	Strain wheel.....		
	59	1			1811-2350-01	Låsring.....	Snap ring.....		
	60	1			9699-0028-02	Planbricka.....	Flat washer.....		
	61	1			1811-2324-01	Remskiva- motor.....	Main drive wheel.....		
	62	1			9683-0030-02	Låsbricka.....	Lock washer.....		
	63	1			9799-0831-02	Mutter.....	Nut.....		
	64	1			1811-2341-01	Spännarm.....	Tension arm.....		
X	65	1			1811-2355-01	Nit.....	Rivet.....		
	66	3			9683-0025-02	Låsbricka.....	Lock washer.....		
	67	1			9699-0028-02	Planbricka.....	Flat washer.....		
	68	3			9747-0631-02	Låsmutter.....	Lock nut.....		
X	69	1			1811-2380-01	Motorplatta.....	Motor base.....		
	70	1			1811-2345-01	Motorgavel- främre.....	End plate- front.....		
	71	1			1811-2346-01	Motorgavel- bakre.....	End plate- rear.....		
X	72	4			1811-2354-01	Bult.....	Bolt.....		L = 110 mm
	73	4			9683-0015-02	Låsbricka.....	Lock washer.....		
X	74	1			1811-2376-01	Stator.....	Stator.....		
X	75	1			1811-2375-01	Rotor.....	Rotor.....		
	76	2			9549-0019-00	Kullager.....	Ball bearing.....		
	77	1			1811-2304-01	Packning.....	Wave gasket.....		
	78	2			9997-0625-16	Skruv.....	Screw.....		
X	79	1			1811-2359-01	Fläkt.....	Fan.....		
	80	1			9650-0015-04	Låsring.....	Lock ring.....		
	81	1			1716-0129-01	Kondensator.....	Capacitor.....		
	82	1			9683-0030-02	Låsbricka.....	Lock washer.....		
X	83	1			1811-2357-01	Kabelklämma.....	Wire clip.....		
X	84	1			1811-2365-01	Fäste.....	Flashboard.....		
	85	1			1811-2306-01	Gummihylsa.....	Rubber grommet.....		



Utgåva Issue		Bildnr Picture No		SNOW ELECTRIC 2000 SNÖSKRUV	SNOW ELECTRIC 2000 AUGER	Sida Page			
2007- 14		2324				12			
Pos. Fig.	Antal/Quantity				Art nr Part No	Benämning	Description	Sats Kit	Anmärkning Notes
	2806 -28								
	1	1			1811-2310-01	Utkastskärm	Upper outlet		
	2	2			9699-0060-02	Planbricka.....	Flat washer.....		
	3	2			9898-0635-12	Skruv	Screw.....		
	4	2			1811-2317-01	Låsratt	Locking knob		
	5	1			1811-2311-01	Utkaströr	Lower outlet.....		
	6	1			1811-2352-01	Rensdon	Cleaner stick		
	7	2			1811-2301-01	Skruv	Screw.....		
	8	7			9847-8016-16	Skruv	Screw.....		
X	9	1			1811-2372-01	Kåpa- gul	Cover- yellow		
X	10	1			1811-2370-01	Inmatningshus- gul.....	Snow channel- yellow		
X	11	1			1811-2363-01	Spärr	Block		
	12	2			1811-2332-01	Fjäder.....	Spring		
X	13	1			1811-2368-01	Krage- gul	Cuff- yellow		
X	14	1			1811-2369-01	Skydd- gul	Dust proof cover- yell.....		
	15	3			9847-7913-16	Skruv	Screw.....		
	16	6			9950-0510-16	Skruv	Screw.....		
	17	15			9699-0024-02	Planbricka.....	Flat washer.....		
	18	2			1811-2337-01	Lagerskål- yttre.....	Bearing cover- outer.....		
	19	2			9549-0044-00	Kullager	Ball bearing		
	20	2			1811-2343-01	Lagerskål- inre	Bearing cover- inner.....		
X	21	1			1811-2361-01	Snöskruvfäste- vä	Propeller brkt- LH.....		
X	22	1			1811-2362-01	Snöskruvfäste- hö.....	Propeller brkt- RH.....		
	23	16			9948-0616-16	Skruv	Screw.....		
	24	16			9747-0631-02	Låsmutter	Lock nut.....		
X	25	2			1811-2358-01	Kil	Shaft key		
X	26	2			1811-2377-01	Gummipaddel	Rubber wheel		
X	27	1			1811-2378-01	Snöskruvaxel	Prop plate & shaft		
	28	4			9650-0017-04	Låsring	Retaining ring		
X	29	1			1811-2366-01	Skrapskär- gul	Spading board- yellow.....		