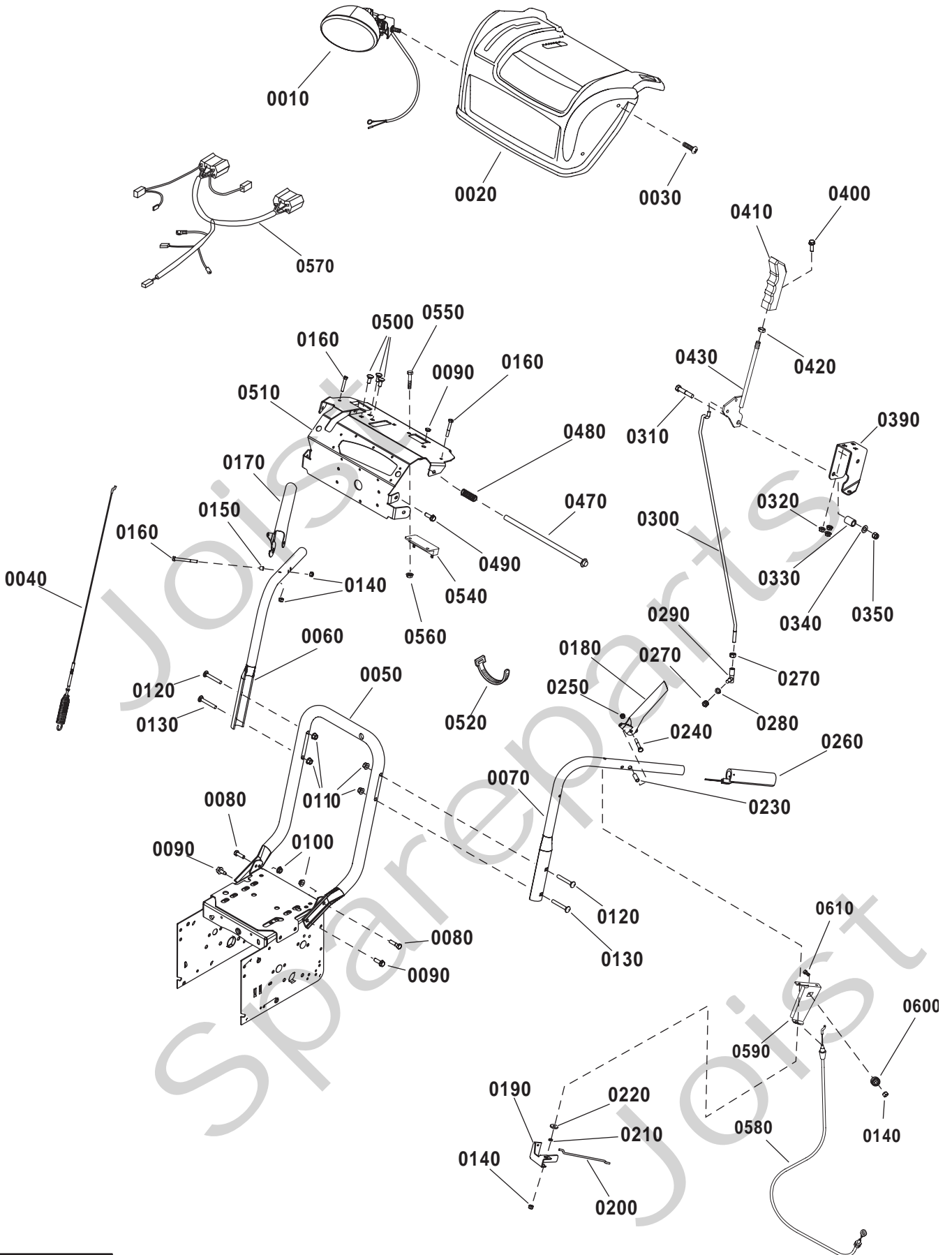


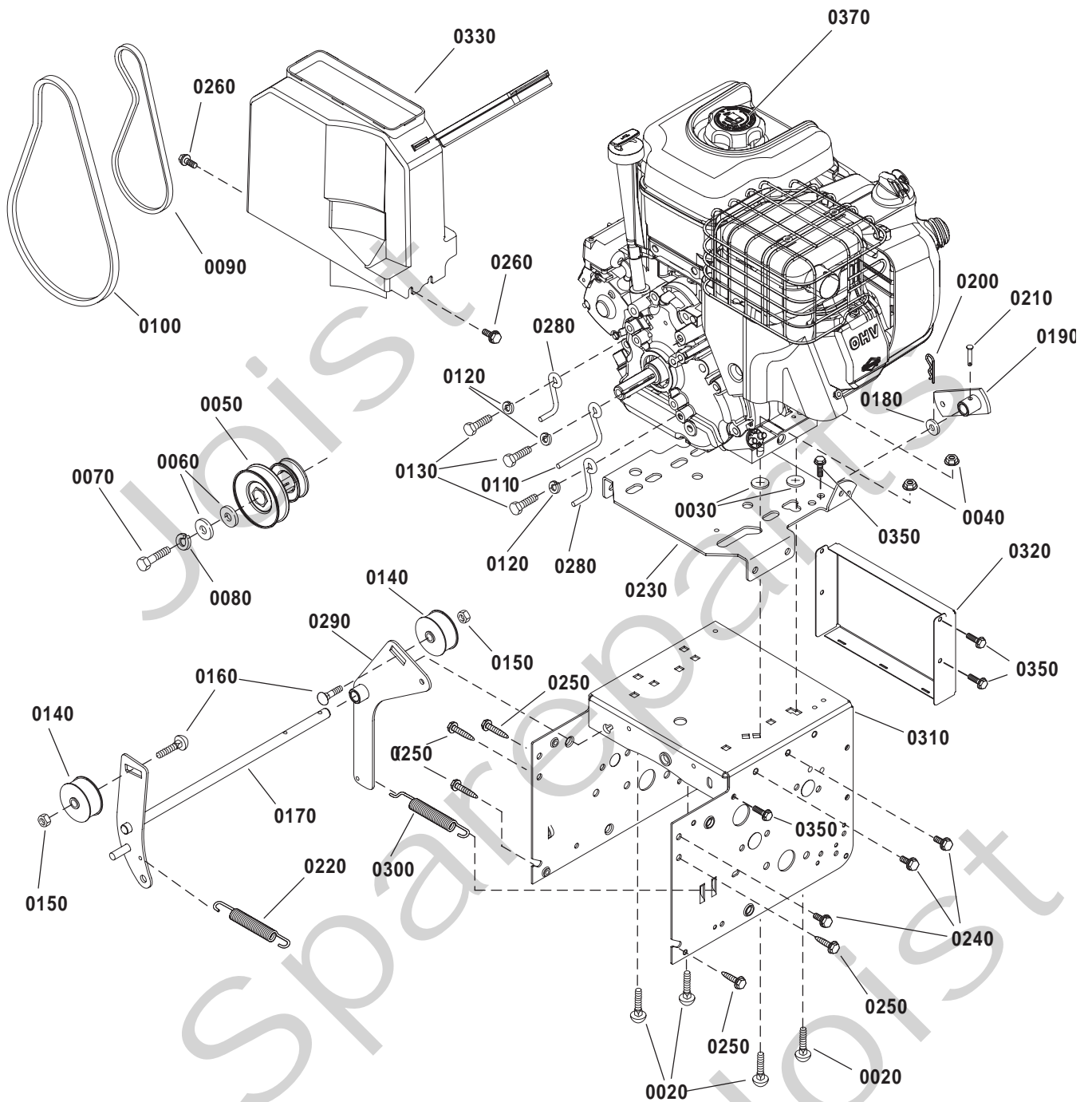
Genuine Spare Parts



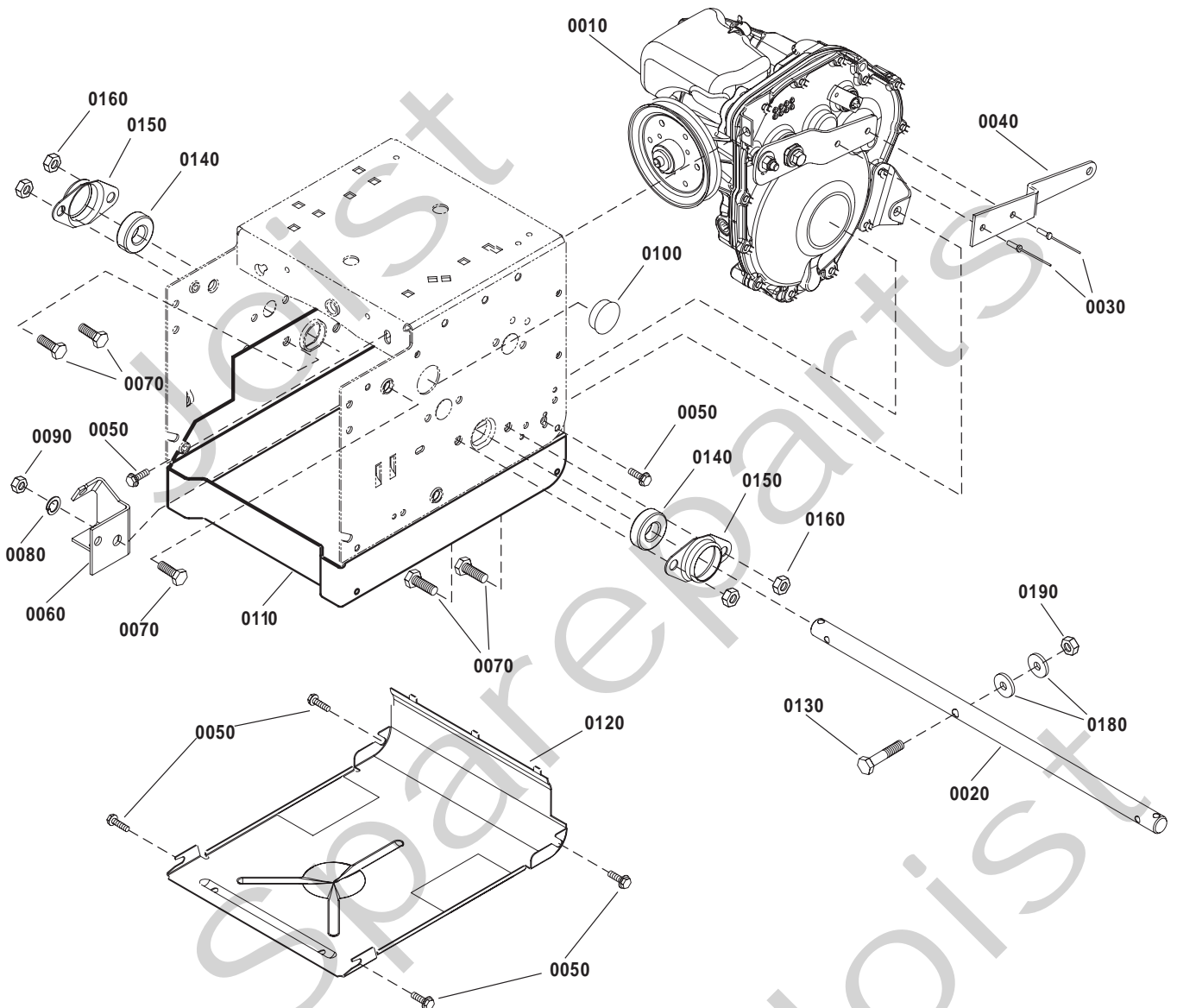
Joist
Spareparts
Joist



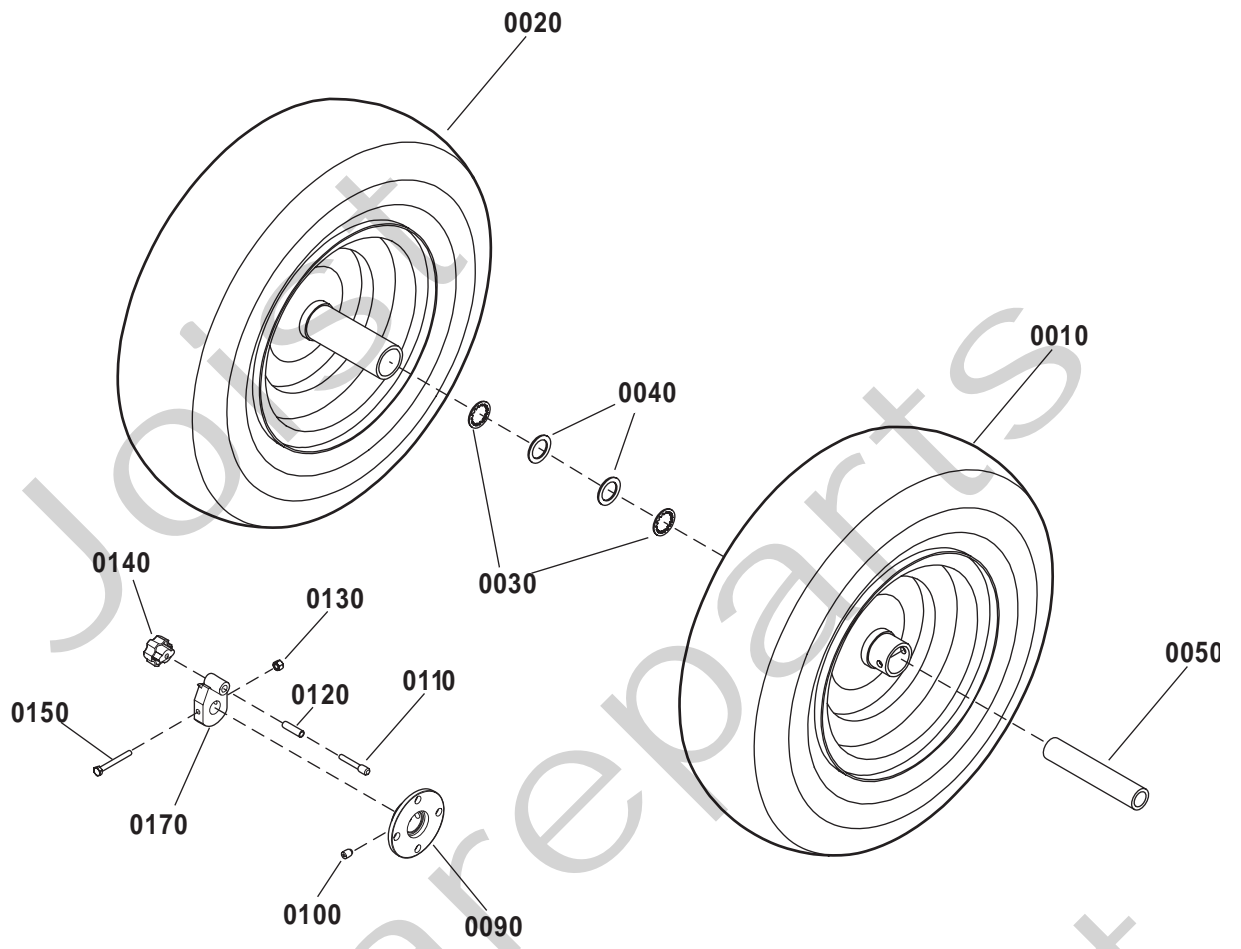
| Utgåva Issue | | Bildnr Picture No | | 1381 HST STYRE REGLAGE | | 1381 HST HANDLE CONTROLS | | Sida Page | |
|-----------------|----------------|----------------------|--|------------------------------|-------------------|--------------------------------|---------------------------|--------------|---------------------|
| 2009- 14 | | 2735 | | | | | | 88 | |
| Pos. Fig. | Antal/Quantity | | | | Art nr Part No | Benämning | Description | Sats Kit | Anmärkning Notes |
| | 2852 -30 | | | | | | | | |
| X | 10 | 1 | | | 1812-2176-01 | Strålkastare | Headlight..... | | |
| | 20 | 1 | | | 1812-2445-01 | Panel | Panel cover | | |
| | 30 | 3 | | | 1812-2265-01 | Skruv | Screw | | |
| | 40 | 1 | | | 1812-2183-01 | Reglagewire- snöskruv | Auger drive cable | | |
| X | 50 | 1 | | | 1812-2419-01 | Styre- underdel | Handle- lower | | |
| | 60 | 1 | | | 1812-2317-01 | Styre överdel- hö | Handle upper- RH..... | | |
| | 70 | 1 | | | 1812-2316-01 | Styre överdel- vä | Handle upper- LH | | |
| | 80 | 2 | | | 9988-3625-16 | Skruv | Screw | | |
| | 90 | 2 | | | 1812-2141-01 | Skruv | Screw | | |
| | 100 | 2 | | | 9727-3641-22 | Mutter | Nut | | |
| | 110 | 4 | | | 9727-3641-22 | Mutter | Nut | | |
| X | 120 | 2 | | | 1812-2479-01 | Vagnsbult | Carriage bolt | | |
| X | 130 | 2 | | | 1812-2476-01 | Vagnsbult | Carriage bolt | | |
| | 140 | 5 | | | 9743-3521-32 | Mutter | Nut | | |
| | 150 | 2 | | | 1812-2148-01 | Distans | Spacer | | |
| | 160 | 4 | | | 9988-3545-12 | Skruv | Screw | | |
| X | 170 | 1 | | | 1812-2403-01 | Kopplingshandtag- hö | Clutch lever- RH | | |
| X | 180 | 1 | | | 1812-2418-01 | Kopplingshandtag- vä | Clutch lever- LH..... | | |
| | 190 | 1 | | | 1812-2231-01 | Fäste | Bracket | | |
| X | 200 | 1 | | | 1812-2404-01 | Stång | Hold down rod | | |
| | 210 | 1 | | | 1812-2206-01 | Distans | Spacer | | |
| | 220 | 1 | | | 9699-0026-02 | Planbricka..... | Flat washer..... | | |
| X | 230 | 2 | | | 1812-2412-01 | Distans | Stepped spacer | | |
| | 240 | 2 | | | 9988-3538-12 | Skruv | Screw | | |
| | 250 | 2 | | | 9743-3521-32 | Mutter | Nut | | |
| | 260 | 2 | | | 1812-2164-01 | Värmehandtag | Heated hand grip..... | | |
| | 270 | 2 | | | 9794-5131-02 | Mutter | Nut | | |
| | 280 | 1 | | | 9683-0030-02 | Låsbricka | Lock washer..... | | |
| | 290 | 1 | | | 1812-0627-01 | Kulled | Ball joint | | |
| | 300 | 1 | | | 1812-2311-01 | Reglagestång..... | Control rod..... | | |
| | 310 | 1 | | | 9988-3751-12 | Skruv | Screw | | |
| | 320 | 3 | | | 9727-3641-22 | Mutter | Nut | | |
| | 330 | 1 | | | 1812-0304-01 | Fjäder..... | Spring | | |
| | 340 | 1 | | | 9699-0029-02 | Planbricka..... | Flat washer..... | | |
| | 350 | 1 | | | 9743-3721-32 | Mutter | Nut | | |
| X | 390 | 1 | | | 1812-2417-01 | Fäste | Controls brkt | | |
| X | 400 | 1 | | | 1812-2481-01 | Skruv | Screw | | |
| | 410 | 1 | | | 1133-0650-01 | Handtag | Handle | | |
| | 420 | 2 | | | 9743-3721-32 | Mutter | Nut | | |
| | 430 | 1 | | | 1812-2226-01 | Spak- HST..... | Hydro control lever | | |
| | 470 | 1 | | | 1812-2233-01 | Stång | Rod | | |
| | 480 | 2 | | | 1812-2268-01 | Tryckfjäder..... | Comp spring | | |
| | 490 | 2 | | | 1812-2250-01 | Skruv | Screw | | |
| | 500 | 3 | | | 9899-3625-16 | Skruv | Screw | | |
| | 510 | 1 | | | 1812-2171-01 | Panelstöd..... | Panel cover support | | |
| X | 520 | 5 | | | 1812-2371-01 | Buntband | Self lock tie | | |
| | 540 | 1 | | | 1812-2165-01 | Motstånd | Resistor block | | |
| | 550 | 2 | | | 1812-2254-01 | Vagnsbult | Carriage bolt | | |
| | 560 | 2 | | | 9795-3531-02 | Mutter | Nut | | |
| X | 570 | 1 | | | 1812-2428-01 | Kablage..... | Wiring harness..... | | |
| | 580 | 1 | | | 1812-2227-01 | Reglagewire- HST | Hydro drive cable | | |
| | 590 | 1 | | | 1812-2218-01 | Fäste | Bracket | | |
| | 600 | 1 | | | 1812-1205-01 | Spole | Spool | | |
| | 610 | 1 | | | 9899-3538-16 | Skruv | Screw | | |



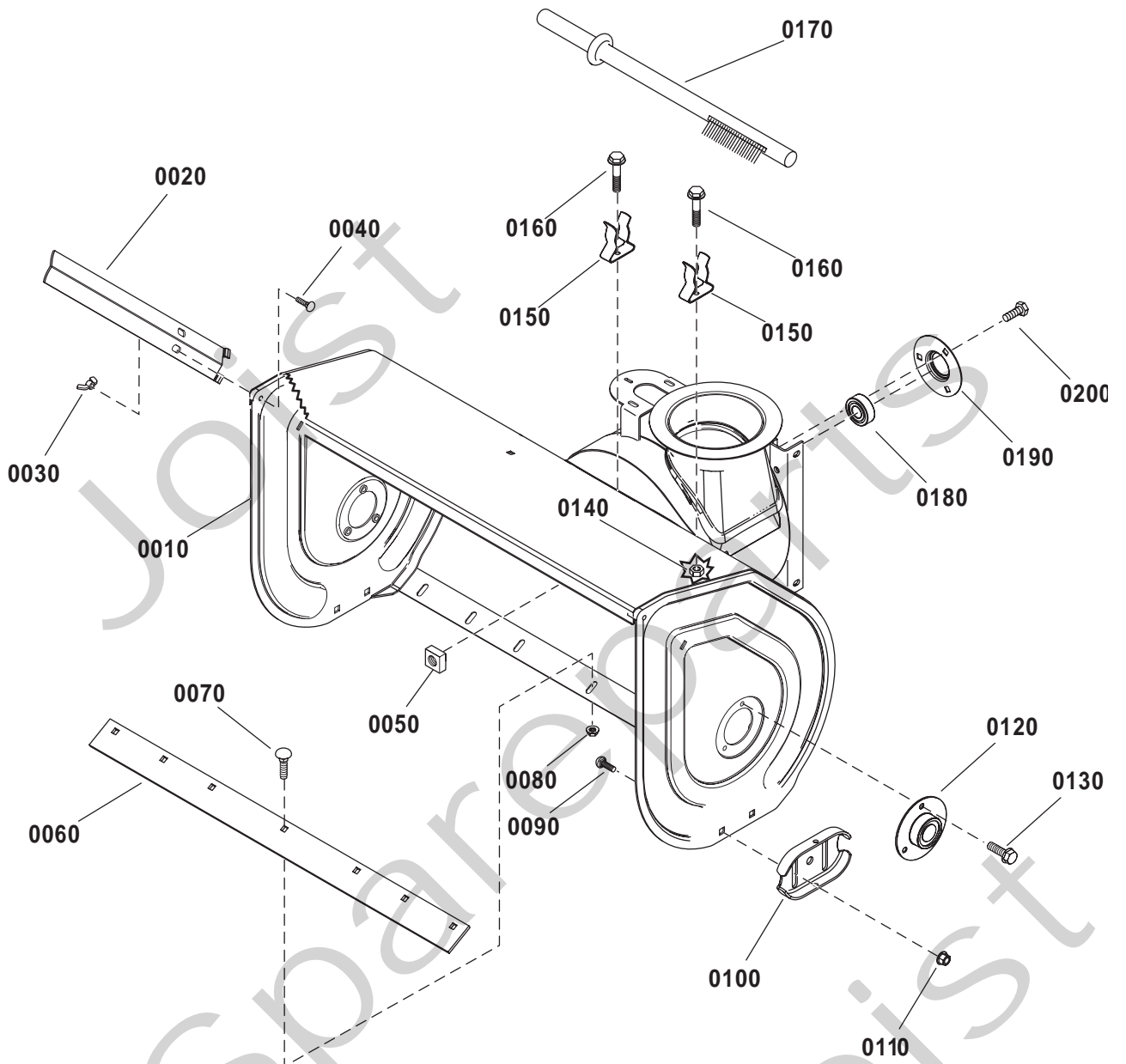
| Utgåva Issue 2009-14 | | Bildnr Picture No 2736 | | 1381 HST RAM MOTOR | | 1381 HST FRAME ENGINE | | Sida Page 90 | |
|----------------------------|----------------|------------------------------|--|--------------------------|-------------------|-----------------------------|---------------------------|--------------------|---------------------|
| Pos. Fig. | Antal/Quantity | | | | Art nr Part No | Benämning | Description | Sats Kit | Anmärkning Notes |
| | 2852 -30 | | | | | | | | |
| | 20 | 4 | | | 1812-1678-01 | Vagnsbult | Carriage bolt | | |
| | 30 | 4 | | | 1812-1681-01 | Hållare | Retainer | | |
| | 40 | 4 | | | 9727-3641-22 | Mutter | Nut | | |
| | 50 | 1 | | | 1812-1719-01 | Motorremskiva | Engine pulley | | |
| | 60 | 2 | | | 9699-0029-02 | Planbricka | Flat washer | | |
| | 70 | 1 | | | 9987-5232-16 | Bult | Bolt | | |
| | 80 | 1 | | | 9683-0035-02 | Låsbricka | Lock washer | | |
| | 90 | 1 | | | 1812-2219-01 | Kilrem-drivning | Belt-traction drive | | |
| X | 100 | 1 | | | 1812-2409-01 | Kilrem-snöskruv | Belt-auger | | |
| X | 110 | 1 | | | 1812-2443-01 | Remstyrning | Belt guide | | |
| | 120 | 3 | | | 9683-0030-02 | Låsbricka | Lock washer | | |
| | 130 | 3 | | | 9987-5119-16 | Skruv | Screw | | |
| | 140 | 2 | | | 1812-2077-01 | Spännrulle | Tension roller | | |
| | 150 | 2 | | | 9743-3721-32 | Mutter | Nut | | |
| | 160 | 2 | | | 9899-3732-16 | Skruv | Screw | | |
| | 170 | 1 | | | 1812-1747-01 | Spännarm | Idler | | |
| | 180 | 1 | | | 9699-0038-02 | Planbricka | Flat washer | | |
| | 190 | 1 | | | 1812-2308-01 | Reglagearm | Control arm | | |
| | 200 | 1 | | | 1812-1511-01 | Låsstift | Hair pin | | |
| X | 210 | 1 | | | 1812-2407-01 | Sprint | Clevis pin | | |
| | 220 | 1 | | | 1812-1676-01 | Fjäder | Tension spring | | |
| | 230 | 1 | | | 1812-2234-01 | Motorplatta | Engine mount plate | | |
| | 240 | 4 | | | 1812-2249-01 | Skruv | Screw | | |
| | 250 | 6 | | | 1812-2141-01 | Skruv | Screw | | |
| | 260 | 2 | | | 1812-1680-01 | Skruv | Screw | | |
| | 280 | 2 | | | 1812-2203-01 | Remstyrning | Belt stop | | |
| | 290 | 1 | | | 1812-1810-01 | Spännarm | Idler bracket | | |
| | 300 | 1 | | | 1812-1762-01 | Fjäder | Clutch spring | | |
| X | 310 | 1 | | | 1812-2454-01 | Motorchassi | Frame box | | |
| X | 320 | 1 | | | 1812-2455-01 | Bakre plåt | Back panel | | |
| | 330 | 1 | | | 1812-2184-01 | Remskydd | Belt cover | | |
| | 350 | 8 | | | 1812-2250-01 | Skruv | Screw | | |
| X | 370 | 1 | | | 1812-2362-01 | Tanklock | Gas cap | | |



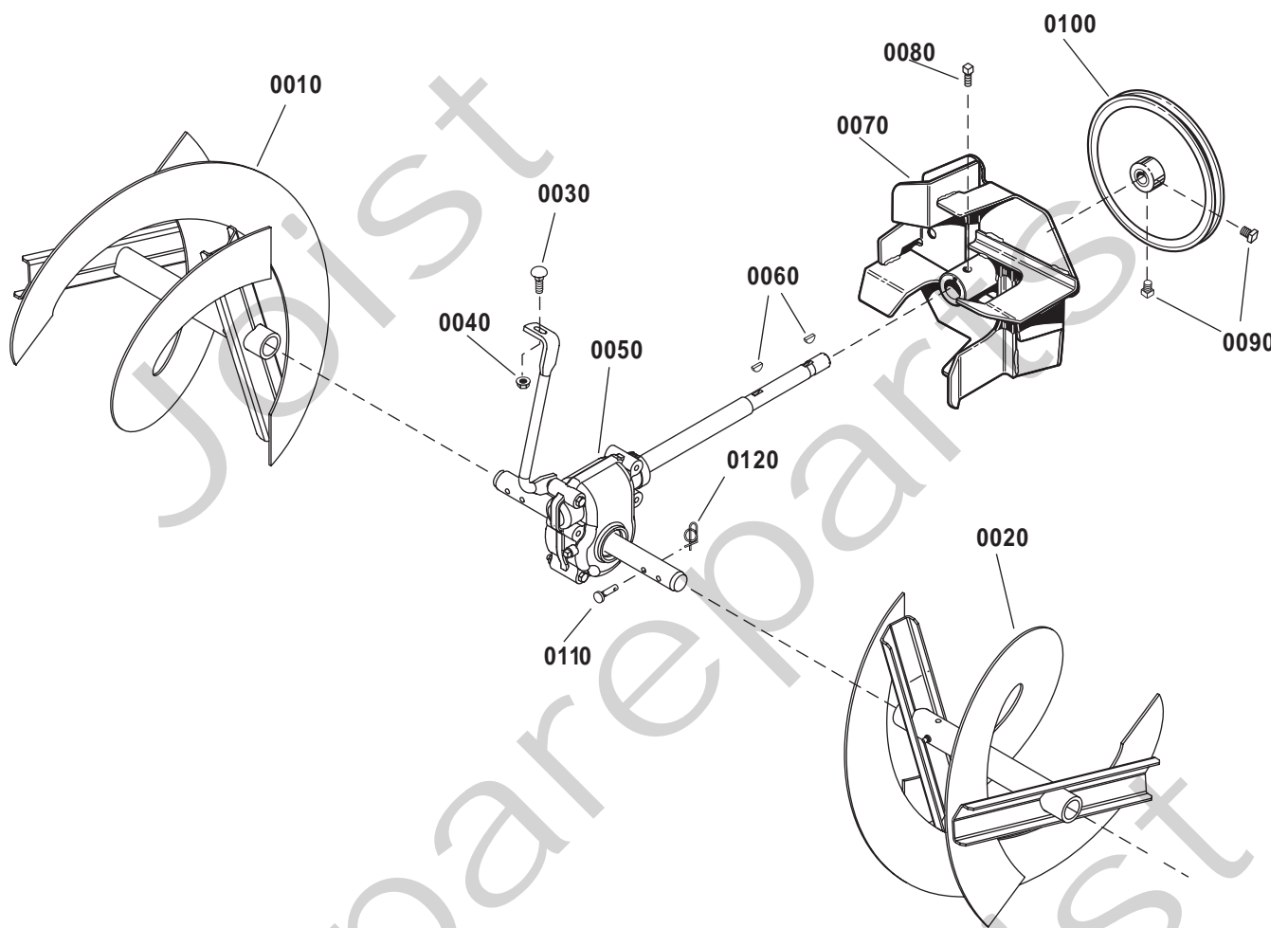
| Utgåva Issue | | Bildnr Picture No | | 1381 HST DRIVNING | | 1381 HST TRACTION DRIVE | | Sida Page | |
|-----------------|----------------|----------------------|--|----------------------|-------------------|----------------------------|-----------------------------|--------------|---------------------|
| 2009- 14 | | 2737 | | | | | | 92 | |
| Pos. Fig. | Antal/Quantity | | | | Art nr Part No | Benämning | Description | Sats Kit | Anmärkning Notes |
| | 2852 -30 | | | | | | | | |
| X | 10 | 1 | | | 1812-2366-01 | Transmission kpl | Transmission assy | | Hydro Gear 314-0410 |
| X | 20 | 1 | | | 1812-2368-01 | Axel | Axle | | |
| | 30 | 2 | | | 1812-2260-01 | Popnit | Pop rivet | | |
| | 40 | 1 | | | 1812-1806-01 | Reglagearm | Control extension arm | | |
| | 50 | 6 | | | 1812-2250-01 | Skruv | Screw | | |
| | 60 | 1 | | | 1812-1803-01 | Fäste | Drive cable bracket | | |
| | 70 | 5 | | | 9988-3719-16 | Skruv | Screw | | |
| | 80 | 1 | | | 9683-0035-02 | Låsbricka | Lock washer | | |
| | 90 | 1 | | | 9743-3721-32 | Mutter | Nut | | |
| | 100 | 1 | | | 1812-1825-01 | Plugg | Plug | | |
| X | 110 | 1 | | | 1812-2456-01 | Ram | Frame | | |
| X | 120 | 1 | | | 1812-2450-01 | Bottenplåt | Bottom panel | | |
| | 130 | 1 | | | 1812-1755-01 | Skruv | Screw | | |
| | 140 | 2 | | | 1812-1920-01 | Kullager | Ball bearing | | |
| | 150 | 2 | | | 1812-1919-01 | Lagerhållare | Bearing retainer | | |
| | 160 | 4 | | | 9743-3721-32 | Mutter | Nut | | |
| | 180 | 2 | | | 1812-2248-01 | Bricka | Washer | | |
| | 190 | 1 | | | 9743-3621-32 | Mutter | Nut | | |



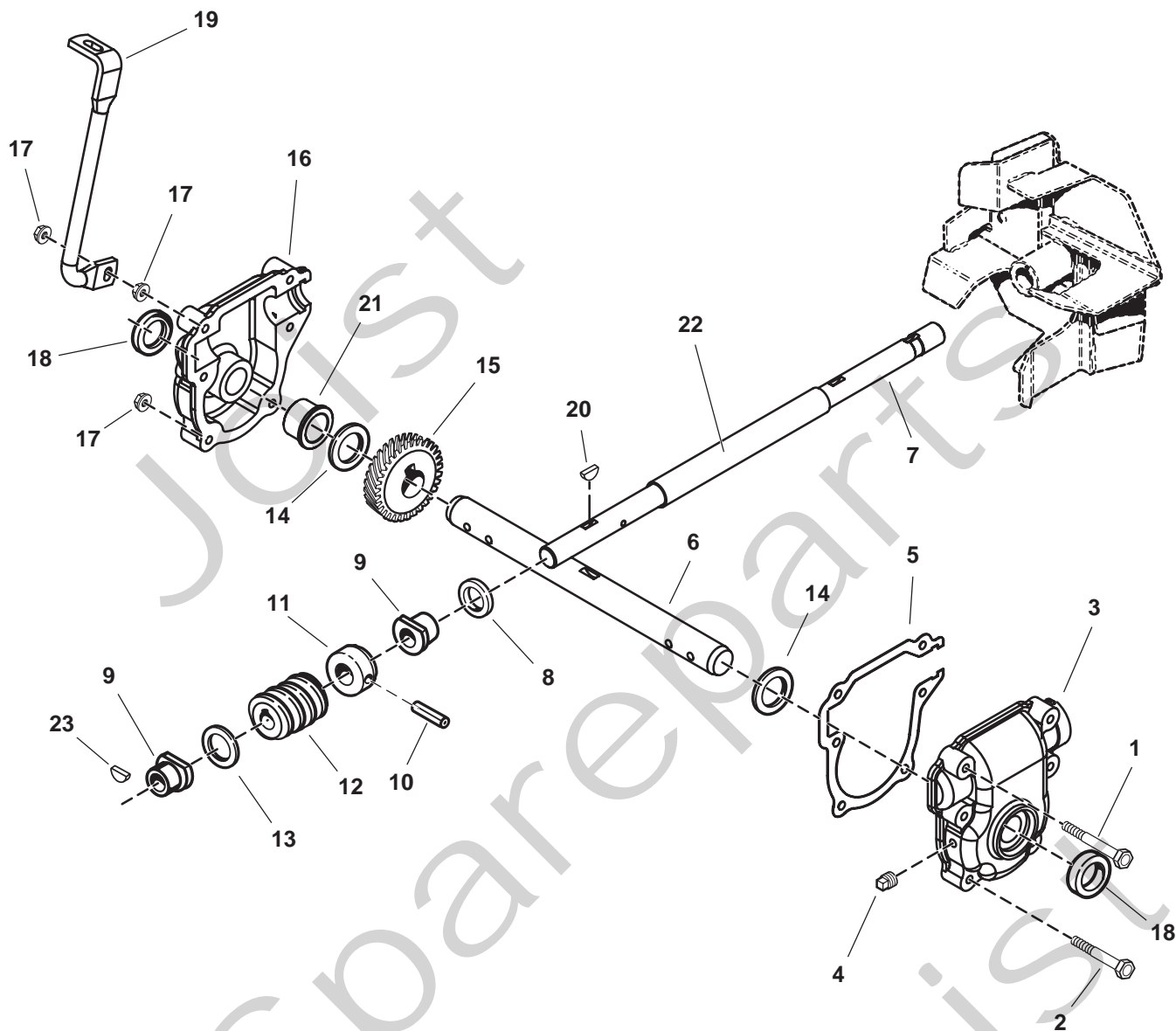
| Utgåva Issue | | Bildnr Picture No | | 1381 HST HJUL | | 1381 HST WHEELS | | Sida Page | |
|-----------------|----------------|----------------------|--|------------------|-------------------|--------------------|-------------------------|--------------|---------------------|
| 2009- 14 | | 2738 | | | | | | 94 | |
| Pos. Fig. | Antal/Quantity | | | | Art nr Part No | Benämning | Description | Sats Kit | Anmärkning Notes |
| | 2852 -30 | | | | | | | | |
| 10 | 1 | | | | 1812-2201-01 | Hjul kpl-vä..... | Wheel assy- LH | | 16 x 6.50- 8 |
| 20 | 1 | | | | 1812-2202-01 | Hjul kpl- hö | Wheel assy- RH | | 16 x 6.50- 8 |
| 30 | 2 | | | | 1812-2139-01 | Låsring | Retaining ring | | |
| 40 | 2 | | | | 1812-0407-01 | Bricka | Washer..... | | |
| 50 | 2 | | | | 1812-1733-01 | Hjulfussning | Wheel bushing | | |
| 90 | 2 | | | | 1812-1606-01 | Hjultallrik | Wheel disc | | |
| 100 | 4 | | | | 1812-1827-01 | Skruv..... | Screw..... | | |
| 110 | 2 | | | | 1812-1959-01 | Låssprint | Lock pin | | |
| 120 | 2 | | | | 1812-1589-01 | Fjäder..... | Compression spring..... | | |
| 130 | 2 | | | | 9743-3521-32 | Mutter..... | Nut | | |
| 140 | 2 | | | | 1812-1958-01 | Knopp..... | Knob | | |
| 150 | 2 | | | | 1812-1756-01 | Skruv..... | Screw..... | | |
| 170 | 2 | | | | 1812-2121-01 | Nav | Wheel lock hub | | |



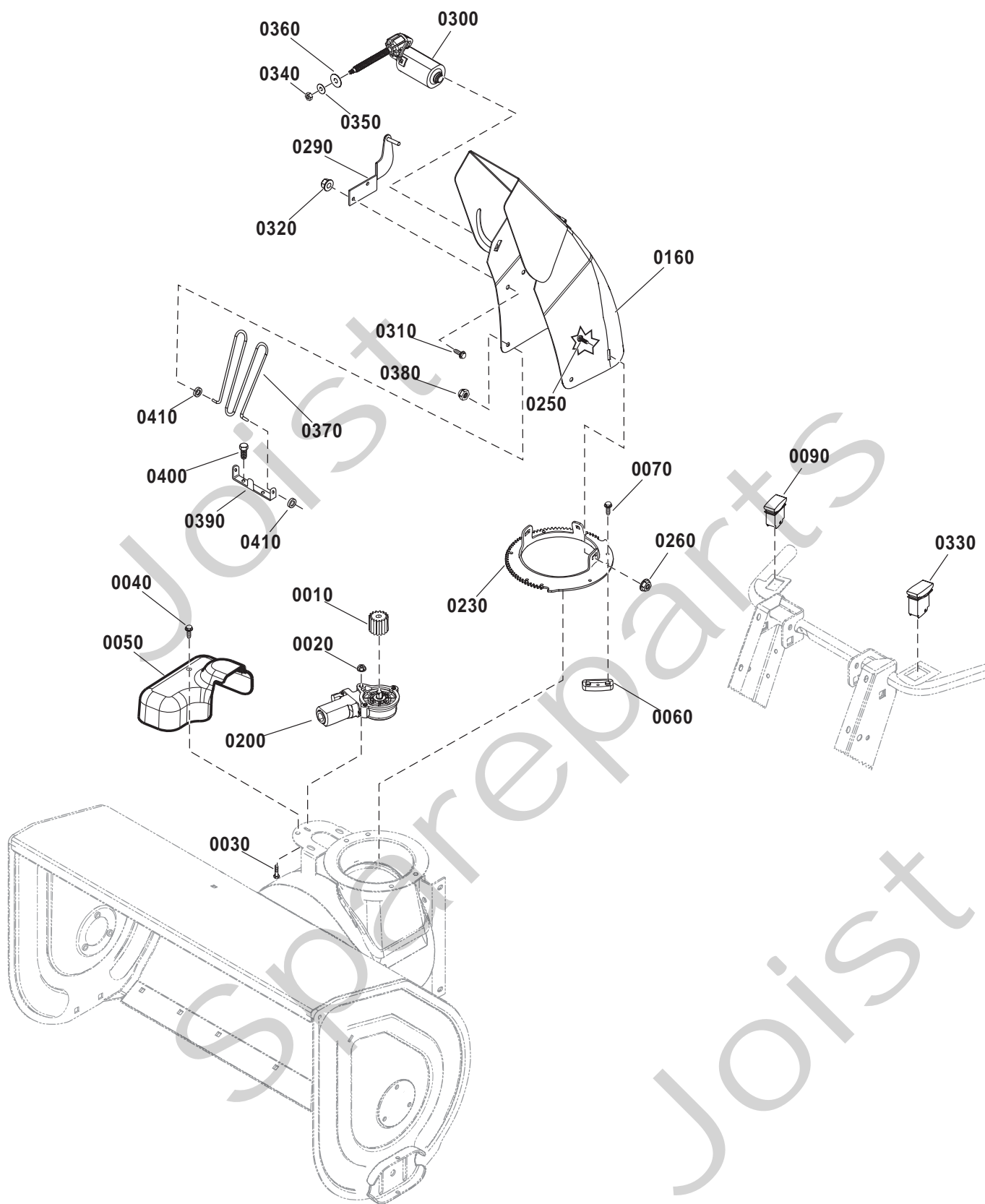
| Utgåva Issue | | Bildnr Picture No | | 1381 HST INMATNINGSHUS | | 1381 HST AUGER HOUSING | | Sida Page | |
|-----------------|----------------|----------------------|--|---------------------------|-------------------|---------------------------|-----------------------|--------------|---------------------|
| 2009- 14 | | 2739 | | | | | | 96 | |
| Pos. Fig. | Antal/Quantity | | | | Art nr Part No | Benämning | Description | Sats Kit | Anmärkning Notes |
| | 2852 -30 | | | | | | | | |
| X | 10 | 1 | | | 1812-2444-01 | Inmatningshus..... | Auger housing..... | | 32" (81 cm) |
| X | 20 | 2 | | | 1812-2378-01 | Drivskär | Drift cutter..... | | |
| X | 30 | 2 | | | 1812-2359-01 | Vingmutter..... | Wing nut | | |
| | 40 | 2 | | | 9899-3622-16 | Skruv..... | Screw..... | | |
| | 50 | 3 | | | 1812-2253-01 | Mutter..... | Nut | | |
| | 60 | 1 | | | 1812-2154-01 | Skrapskär | Scraper blade..... | | |
| | 70 | 7 | | | 1812-2264-01 | Vagnsbult | Carriage bolt | | |
| | 80 | 7 | | | 9727-3641-22 | Mutter..... | Nut | | |
| | 90 | 4 | | | 9899-3725-16 | Skruv | Screw | | |
| | 100 | 2 | | | 1812-2167-01 | Släpsko..... | Skid shoe | | |
| | 110 | 4 | | | 1132-0695-01 | Mutter..... | Nut | | |
| | 120 | 2 | | | 1812-2318-01 | Kullager | Ball bearing | | |
| | 130 | 6 | | | 1812-2141-01 | Skruv..... | Screw..... | | |
| | 140 | 2 | | | 1812-1912-01 | Mutter..... | Nut | | |
| X | 150 | 2 | | | 1812-2413-01 | Klämma..... | Spring clamp..... | | |
| X | 160 | 2 | | | 1812-2480-01 | Skruv..... | Screw..... | | |
| X | 170 | 1 | | | 1812-2400-01 | Borste..... | Cleanout brush..... | | |
| | 180 | 1 | | | 1812-2346-01 | Lager | Greased bearing..... | | |
| | 190 | 1 | | | 1812-2142-01 | Lagerhållare..... | Bearing retainer..... | | |
| | 200 | 3 | | | 1812-2267-01 | Skruv | Screw..... | | |



| Utgåva Issue | | Bildnr Picture No | | 1381 HST SNÖSKRUV | | 1381 HST AUGER DRIVE | | Sida Page | |
|-----------------|----------------|----------------------|--|----------------------|---------------------|-------------------------|-------------|--------------|---------------------|
| 2009- 14 | | 2740 | | | | | | 98 | |
| Pos. Fig. | Antal/Quantity | | | | Art nr Part No | Benämning | Description | Sats Kit | Anmärkning Notes |
| | 2852 | | | | | | | | |
| | -30 | | | | | | | | |
| 10 | 1 | | | 1812-2324-01 | Snöskruv- hö | Auger- RH | | | |
| 20 | 1 | | | 1812-2323-01 | Snöskruv- vä..... | Auger- LH..... | | | |
| 30 | 1 | | | 9899-3625-16 | Skruv | Screw | | | |
| 40 | 1 | | | 9727-3641-22 | Mutter..... | Nut | | | |
| 50 | 1 | | | 1812-2175-01 | Snäckväxel kpl..... | Gearbox assy | | | |
| 60 | 2 | | | 1812-2274-01 | Kil | Key | | | |
| 70 | 1 | | | 1812-2137-01 | Fläkt..... | Impeller..... | | | |
| 80 | 1 | | | 1812-2262-01 | Skruv | Screw | | | |
| 90 | 2 | | | 1812-2251-01 | Skruv | Screw | | | |
| 100 | 1 | | | 1812-2174-01 | Remskiva..... | Pulley..... | | | |
| 110 | 1 | | | 1812-9029-01 | Brytbultsats | Shear bolt kit..... | | | Sats 2 st/kit of 2 |
| 120 | 2 | | | 1812-2281-01 | • Låsnål | • Cotter pin | | | |



| Utgåva Issue | | Bildnr Picture No | | 1381 HST SNÄCKVÄXEL | | 1381 HST GEAR CASE | | Sida Page | |
|-----------------|----------------|----------------------|--|------------------------|----------------------------------|-----------------------|-------------|--------------|---------------------|
| 2009- 14 | | 2186 | | | | | | 100 | |
| Pos. Fig. | Antal/Quantity | | | | Art nr Part No | Benämning | Description | Sats Kit | Anmärkning Notes |
| | 2852 -30 | | | | | | | | |
| 1 | 1 | | | | 9988-3564-12 Skruv | Screw | | | |
| 2 | 5 | | | | 9988-3557-12 Skruv | Screw | | | |
| 3 | 1 | | | | 1812-2132-01 Växelhus- vä | Gear case- LH | | | |
| 4 | 1 | | | | 1812-2146-01 Plugg | Plug | | | |
| 5 | 1 | | | | 1812-2130-01 Packning | Gasket | | | |
| 6 | 1 | | | | 1812-2181-01 Axel | Auger shaft | | | |
| 7 | 1 | | | | 1812-2173-01 Axel | Worm shaft | | | |
| 8 | 1 | | | | 1812-2128-01 Tättningsring | Oil seal | | | |
| 9 | 2 | | | | 1812-2136-01 Flänsbussning | Flange bushing | | | |
| 10 | 1 | | | | 1812-2277-01 Stift | Drive lock pin | | | |
| 11 | 1 | | | | 1812-2131-01 Hylsa | Thrust collar | | | |
| 12 | 1 | | | | 1812-2135-01 Snäckskruv | Worm | | | |
| 13 | 1 | | | | 1812-2271-01 Tryckbricka | Thrust washer | | | |
| 14 | 2 | | | | 1812-2270-01 Tryckbricka | Thrust washer | | | |
| 15 | 1 | | | | 1812-2134-01 Snäckdrev | Worm gear | | | |
| 16 | 1 | | | | 1812-2133-01 Växelhus- hö | Gear case- RH | | | |
| 17 | 7 | | | | 9743-3521-32 Mutter | Nut | | | |
| 18 | 2 | | | | 1812-2269-01 Tättningsring | Seal | | | |
| 19 | 1 | | | | 1812-2172-01 Stag | Bracket | | | |
| 20 | 1 | | | | 1812-2274-01 Kil | Key | | | |
| 21 | 2 | | | | 1812-2198-01 Bussning | Bushing | | | |
| 22 | 1 | | | | 1812-2129-01 Rör | Tube | | | |
| 23 | 1 | | | | 1812-2276-01 Kil | Key | | | |



| Utgåva Issue | | Bildnr Picture No | | 1381 HST UTKAST | | 1381 HST DISCHARGE CHUTE | | Sida Page | |
|-----------------|----------------|----------------------|--|--------------------|-------------------|-----------------------------|---------------------------|--------------|---------------------|
| 2009- 14 | | 2741 | | | | | | 102 | |
| Pos. Fig. | Antal/Quantity | | | | Art nr Part No | Benämning | Description | Sats Kit | Anmärkning Notes |
| | 2852 -30 | | | | | | | | |
| X | 10 | 1 | | | 1812-2375-01 | Drev..... | Pinion..... | | |
| X | 20 | 3 | | | 1812-2482-01 | Mutter..... | Nut..... | | |
| X | 30 | 3 | | | 1812-2279-01 | Skruv..... | Screw..... | | |
| X | 40 | 1 | | | 1812-2474-01 | Skruv..... | Screw..... | | |
| X | 50 | 1 | | | 1812-2415-01 | Lock..... | Cover..... | | |
| | 60 | 3 | | | 1812-2280-01 | Hållare..... | Retainer..... | | |
| | 70 | 6 | | | 1812-2257-01 | Skruv..... | Screw..... | | |
| X | 80 | 1 | | | 1812-2371-01 | Buntband..... | Self lock tie..... | | |
| X | 90 | 1 | | | 1812-2430-01 | Brytare..... | Switch, chute rotate..... | | |
| X | 160 | 1 | | | 1812-2427-01 | Utkast..... | Chute..... | | |
| X | 200 | 1 | | | 1812-2374-01 | Motor..... | Motor, spout rotator..... | | |
| X | 230 | 1 | | | 1812-2422-01 | Ringdrev..... | Chute gear..... | | |
| | 250 | 3 | | | 1812-2254-01 | Vagnsbult..... | Carriage bolt..... | | |
| | 260 | 3 | | | 9743-3521-32 | Mutter..... | Nut..... | | |
| X | 290 | 1 | | | 1812-2435-01 | Stag..... | Bracket..... | | |
| X | 300 | 1 | | | 1812-2421-01 | Motor..... | Motor, chute deflect..... | | |
| | 310 | 2 | | | 1812-2265-01 | Skruv..... | Screw..... | | |
| | 320 | 2 | | | 9743-3521-32 | Mutter..... | Nut..... | | |
| X | 330 | 1 | | | 1812-2429-01 | Brytare..... | Switch, deflector..... | | |
| X | 340 | 1 | | | 1812-2432-01 | Mutter (vä- gängad)..... | Nut (left hand)..... | | |
| X | 350 | 1 | | | 1812-2484-01 | Bricka..... | Washer..... | | |
| X | 360 | 1 | | | 1812-2431-01 | Gummibricka..... | Rubber washer..... | | |
| X | 370 | 1 | | | 1812-2381-01 | Utkastskydd..... | Chute guard..... | | |
| X | 380 | 2 | | | 1812-2478-01 | Snabbmutter..... | Push nut..... | | |
| X | 390 | 1 | | | 1812-2416-01 | Fäste..... | Chute guard brkt..... | | |
| X | 400 | 2 | | | 1812-2473-01 | Skruv..... | Screw..... | | |
| X | 410 | 2 | | | 1812-2426-01 | Hylsa..... | Grommet..... | | |