

Genuine Spare Parts

www.stiga.com

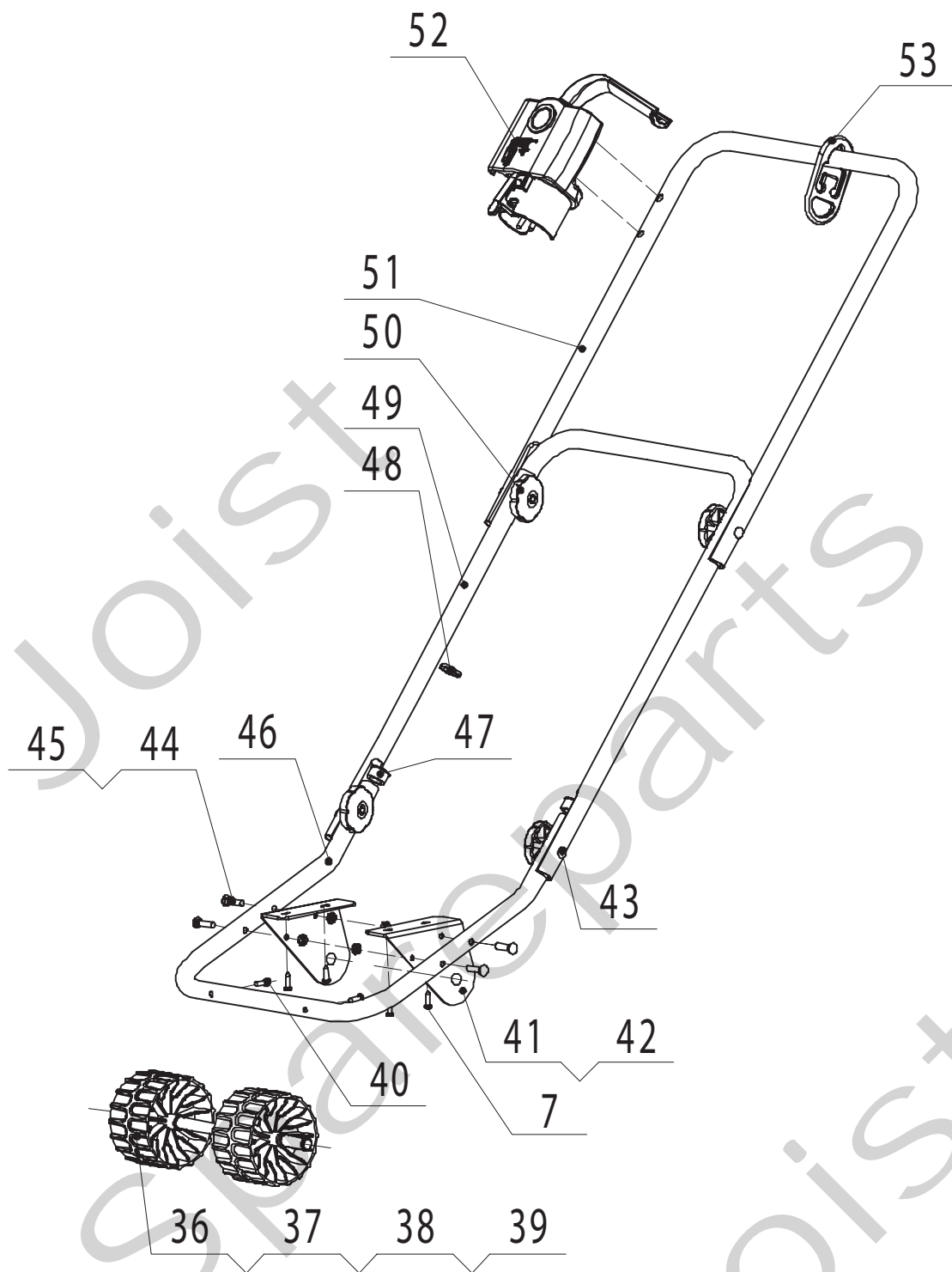
SNOW ELECTRIC 2000 Model Year 2010/2011

- Use GLOBAL GARDEN PRODUCT Genuine Spare Parts specified in the parts list for repair and/or replacement.
- The contents described in the parts list may change due to improvement.
- The drawings of the spare parts are only indicative and might not represent the part in question exactly.
- The indications "right" - "left" - "front" - "rear" refer to the position of the operator when using the machine.
- When placing orders of parts for repair and/or replacement, make sure that the illustrated parts list is the one applying to the machine's year of manufacture, as shown on the identification plate attached to the machine.

COPYRIGHT by GLOBAL GARDEN PRODUCTS

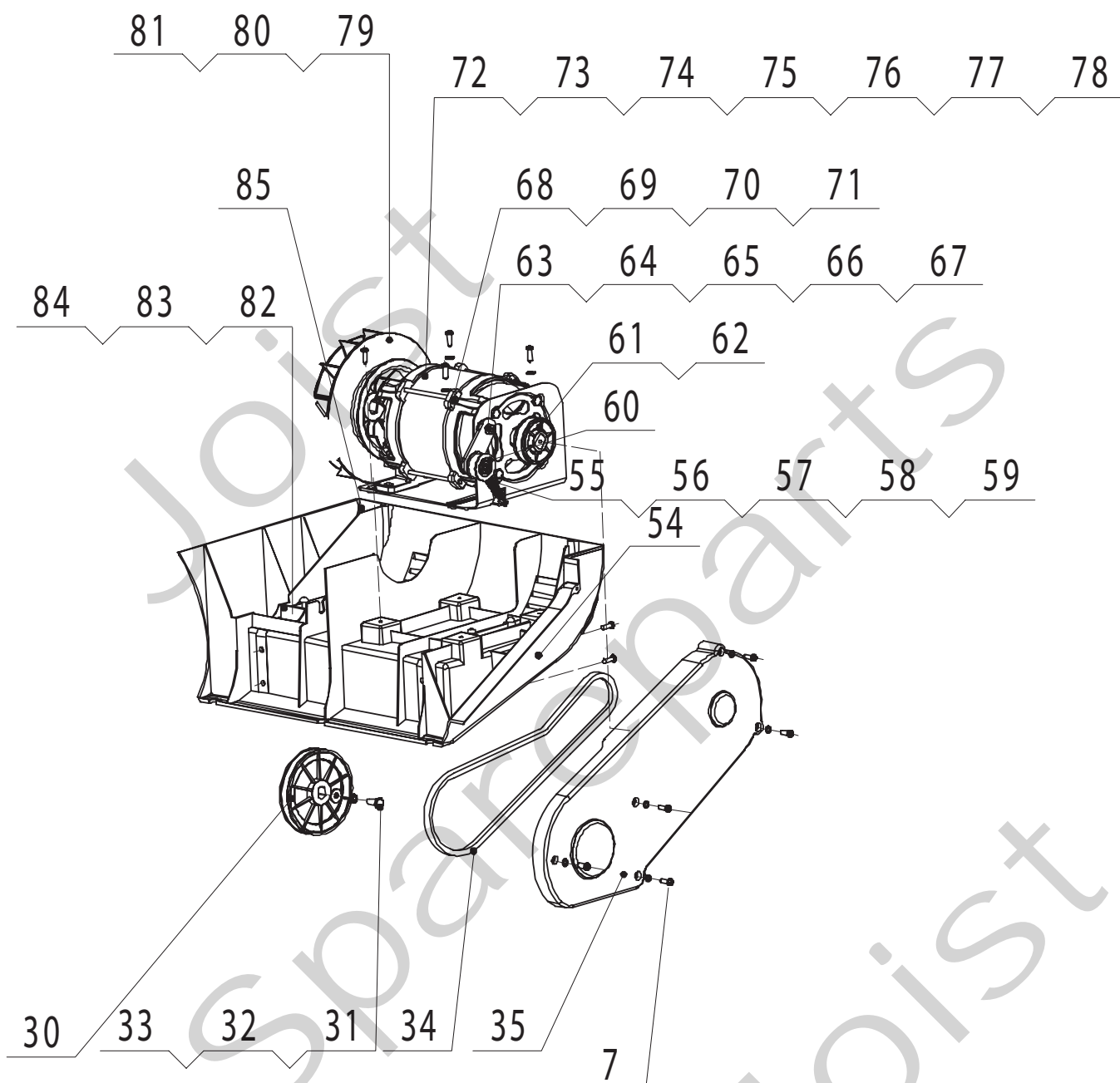
All rights reserved. No part of this material may be reproduced or transmitted, in any form or by any means, electronic or mechanical, including photocopying, recording or by any information storage and retrieval system, without permission in writing from GLOBAL GARDEN PRODUCTS.

STIGA®

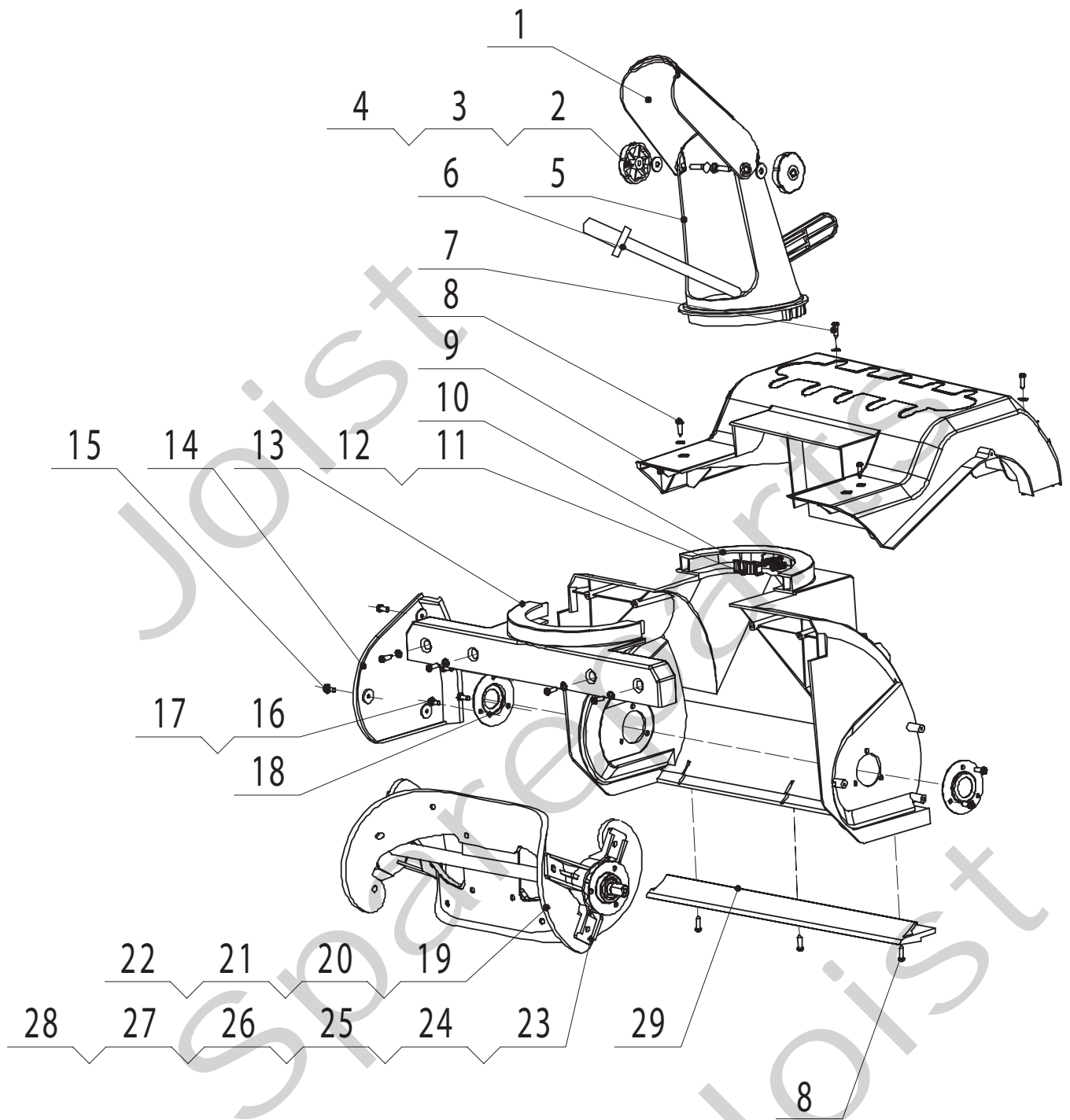


Utgåva Issue		Bildnr Picture No		SNOW ELECTRIC 2000 STYRE		SNOW ELECTRIC 2000 HANDLE		Sida Page	
2010-14		2322						2	
Pos. Fig.	Antal/Quantity				Art nr Part No	Benämning	Description	Sats Kit	Anmärkning Notes
	2806 -31								
7	4				1811-2301-01 Skruv.....	Screw.....			
36	2				1811-2360-01 Hjul.....	Wheel.....			
37	1				1811-2379-01 Hjulaxel.....	Wheel shaft.....			
38	6				9650-0012-04 Seegersäkring.....	Circlip.....			
39	6				9699-0115-02 Bricka.....	Washer.....			
40	2				9849-8032-16 Skruv.....	Screw.....			
41	1				1811-2373-01 Hjulplåt- vä.....	Wheel plate- LH.....			
42	1				1811-2374-01 Hjulplåt- hö.....	Wheel plate- RH.....			
43	4				1716-0003-01 Skruv.....	Screw.....			
44	4				9997-0535-12 Skruv.....	Screw.....			
45	4				9747-0531-02 Mutter.....	Nut.....			
46	1				1811-2383-01 Styre- underdel.....	Handle- lower.....			
47	4				1716-0224-01 Plugg.....	Plug.....			
48	2				1716-0225-01 Kabelhållare.....	Cable holder.....			
49	1				1811-2382-01 Styre- mellandel.....	Handle- middle.....			
50	4				1811-2317-01 Lås ratt.....	Locking knob.....			
51	1				1811-2381-01 Styre- överdel.....	Handle- upper.....			
52	1				1811-2349-01 Brytare.....	Switch.....			
53	1				1716-0192-01 Kabelhållare.....	Cable- kink protection.....			
99	1				8218-2218-01 Bruksanvisning.....	Owner's manual.....			Ej ill/not ill.

X



Utgåva Issue		Bildnr Picture No		SNOW ELECTRIC 2000 TRANSMISSION		SNOW ELECTRIC 2000 TRANSMISSION		Sida Page	
2010-14		2323						4	
Pos. Fig.	Antal/Quantity				Art nr Part No	Benämning	Description	Sats Kit	Anmärkning Notes
	2806 -31								
7	5				1811-2301-01 Skruv.....	Screw.....			
30	1				1811-2322-01 Remskiva.....	Drive wheel.....			
31	1				9948-0616-16 Skruv.....	Screw.....			
32	1				9699-0060-02 Planbricka.....	Flat washer.....			
33	1				9683-0025-02 Låsbricka.....	Lock washer.....			
34	1				1811-2356-01 Drivrem.....	Drive belt.....			
35	1				1811-2371-01 Remskydd.....	Belt cover.....			
54	1				1811-2367-01 Chassi.....	Chassis.....			
55	1				1811-2339-01 Fjäder- spännarm.....	Spring- tension arm.....			
56	1				1811-2338-01 Spännrullaxel.....	Tension roller shaft.....			
57	2				1811-2300-01 Kullager.....	Ball bearing.....			
58	1				1811-2364-01 Spännrulle.....	Strain wheel.....			
59	1				1811-2350-01 Låsring.....	Snap ring.....			
60	1				9699-0028-02 Planbricka.....	Flat washer.....			
61	1				1811-2324-01 Remskiva- motor.....	Main drive wheel.....			
62	1				9683-0030-02 Låsbricka.....	Lock washer.....			
63	1				9799-0831-02 Mutter.....	Nut.....			
64	1				1811-2341-01 Spännarm.....	Tension arm.....			
65	1				1811-2355-01 Nit.....	Rivet.....			
66	3				9683-0025-02 Låsbricka.....	Lock washer.....			
67	1				9699-0028-02 Planbricka.....	Flat washer.....			
68	3				9747-0631-02 Låsmutter.....	Lock nut.....			
69	1				1811-2380-01 Motorplatta.....	Motor base.....			
70	1				1811-2345-01 Motorgavel- främre.....	End plate- front.....			
71	1				1811-2346-01 Motorgavel- bakre.....	End plate- rear.....			
72	4				1811-2354-01 Bult.....	Bolt.....		L = 110 mm	
73	4				9683-0015-02 Låsbricka.....	Lock washer.....			
74	1				1811-2376-01 Stator.....	Stator.....			
75	1				1811-2375-01 Rotor.....	Rotor.....			
76	2				9549-0019-00 Kullager.....	Ball bearing.....			
77	1				1811-2304-01 Packning.....	Wave gasket.....			
78	2				9997-0625-16 Skruv.....	Screw.....			
79	1				1811-2359-01 Fläkt.....	Fan.....			
80	1				9650-0015-04 Låsring.....	Lock ring.....			
81	1				1716-0129-01 Kondensator.....	Capacitor.....			
82	1				9683-0030-02 Låsbricka.....	Lock washer.....			
83	1				1811-2357-01 Kabelklämma.....	Wire clip.....			
84	1				1811-2365-01 Fäste.....	Flashboard.....			
85	1				1811-2306-01 Gummihylsa.....	Rubber grommet.....			



Utgåva Issue		Bildnr Picture No		SNOW ELECTRIC 2000 SNÖSKRUV	SNOW ELECTRIC 2000 AUGER	Sida Page			
2010-14		2324				6			
Pos. Fig.	Antal/Quantity				Art nr Part No	Benämning	Description	Sats Kit	Anmärkning Notes
	2806 -31								
1	1			1811-2310-01	Utkastskärm	Upper outlet			
2	2			9699-0060-02	Planbricka.....	Flat washer.....			
3	2			9898-0635-12	Skruv	Screw.....			
4	2			1811-2317-01	Låsratt	Locking knob			
5	1			1811-2311-01	Utkaströr	Lower outlet.....			
6	1			1811-2352-01	Rensdon	Cleaner stick			
7	2			1811-2301-01	Skruv	Screw.....			
8	7			9847-8016-16	Skruv	Screw.....			
9	1			1811-2372-01	Kåpa- gul	Cover- yellow			
10	1			1811-2370-01	Inmatningshus- gul.....	Snow channel- yellow			
11	1			1811-2363-01	Spärr	Block			
12	2			1811-2332-01	Fjäder.....	Spring			
13	1			1811-2368-01	Krage- gul	Cuff- yellow			
14	1			1811-2369-01	Skydd- gul	Dust proof cover- yell.....			
15	3			9847-7913-16	Skruv	Screw.....			
16	6			9950-0510-16	Skruv	Screw.....			
17	15			9699-0024-02	Planbricka.....	Flat washer.....			
18	2			1811-2337-01	Lagerskål- yttre.....	Bearing cover- outer.....			
19	2			9549-0044-00	Kullager	Ball bearing			
20	2			1811-2343-01	Lagerskål- inre	Bearing cover- inner.....			
21	1			1811-2361-01	Snöskruvfäste- vä	Propeller brkt- LH.....			
22	1			1811-2362-01	Snöskruvfäste- hö.....	Propeller brkt- RH.....			
23	16			9948-0616-16	Skruv	Screw.....			
24	16			9747-0631-02	Låsmutter	Lock nut.....			
25	2			1811-2358-01	Kil	Shaft key			
26	2			1811-2377-01	Gummipaddel	Rubber wheel			
27	1			1811-2378-01	Snöskruvaxel	Prop plate & shaft			
28	4			9650-0017-04	Låsring	Retaining ring			
29	1			1811-2366-01	Skrapskär- gul	Spading board- yellow.....			