

Genuine Spare Parts

www.stiga.com

SNOW FOX Model Year 2011/12

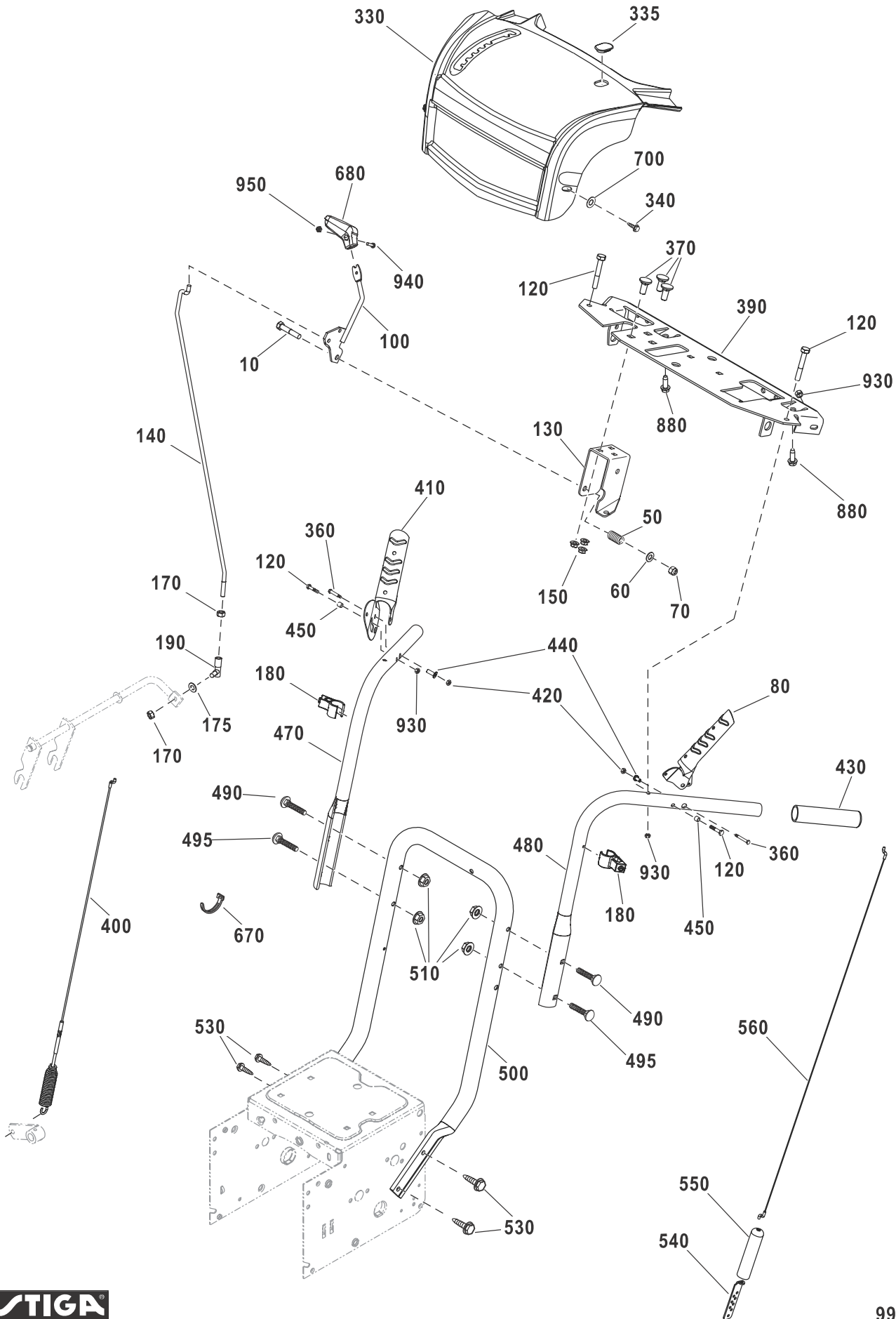
includes:
18-2869-31 Snow Fox

- Use GLOBAL GARDEN PRODUCT Genuine Spare Parts specified in the parts list for repair and/or replacement.
- The contents described in the parts list may change due to improvement.
- The drawings of the spare parts are only indicative and might not represent the part in question exactly.
- The indications "right" - "left" - "front" - "rear" refer to the position of the operator when using the machine.
- When placing orders of parts for repair and/or replacement, make sure that the illustrated parts list is the one applying to the machine's year of manufacture, as shown on the identification plate attached to the machine.

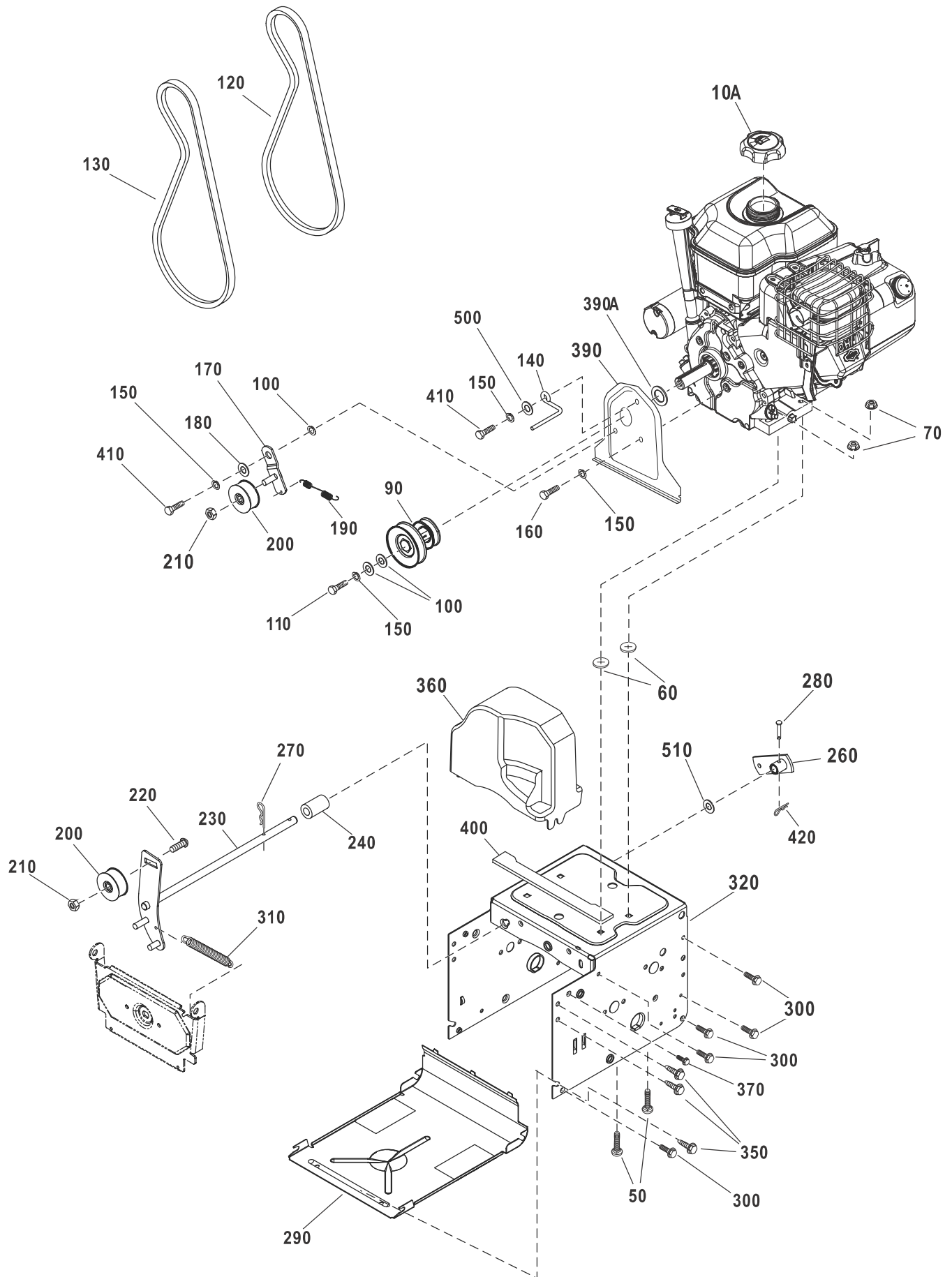
COPYRIGHT by GLOBAL GARDEN PRODUCTS

All rights reserved. No part of this material may be reproduced or transmitted, in any form or by any means, electronic or mechanical, including photocopying, recording or by any information storage and retrieval system, without permission in writing from GLOBAL GARDEN PRODUCTS.

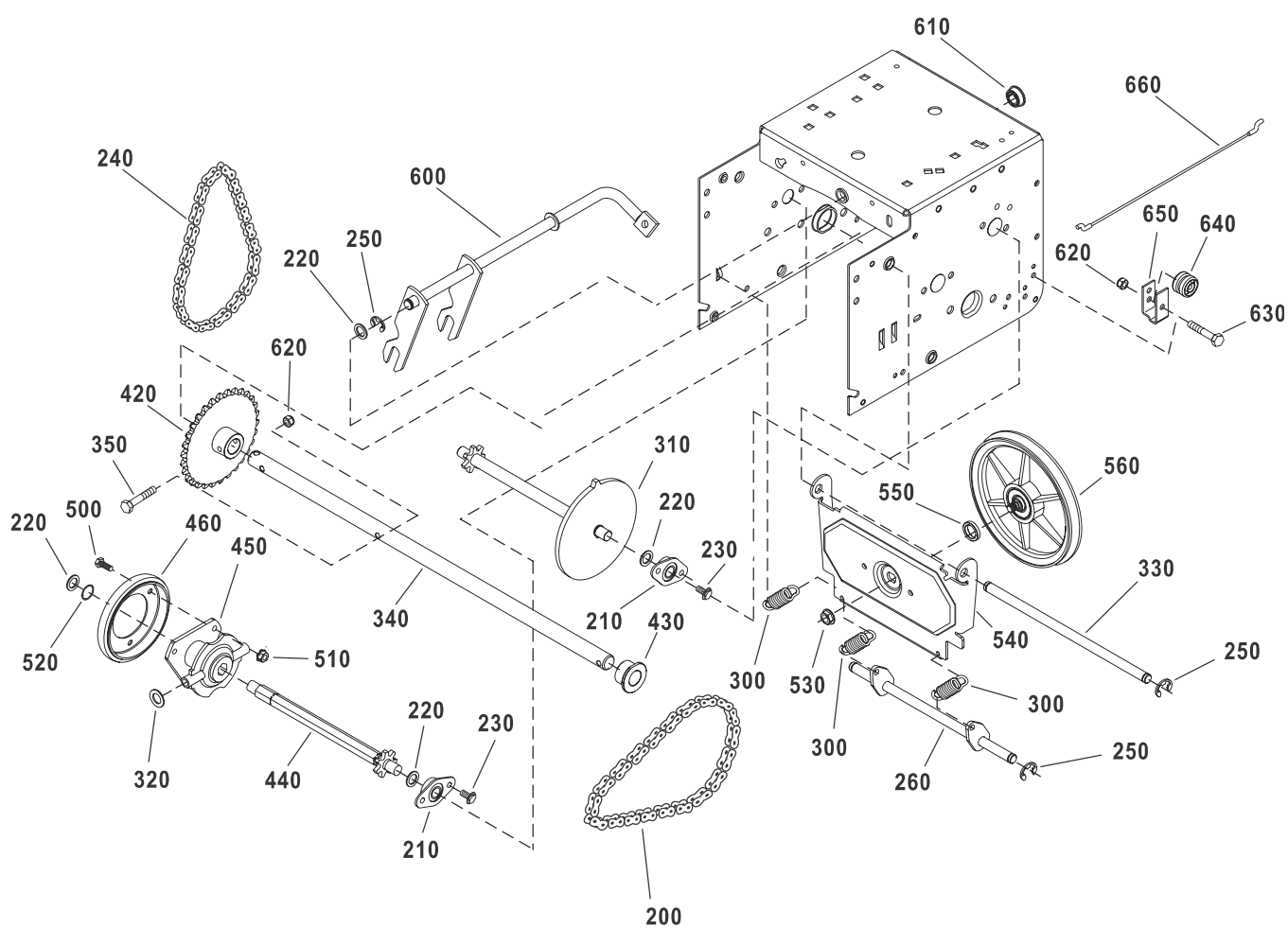




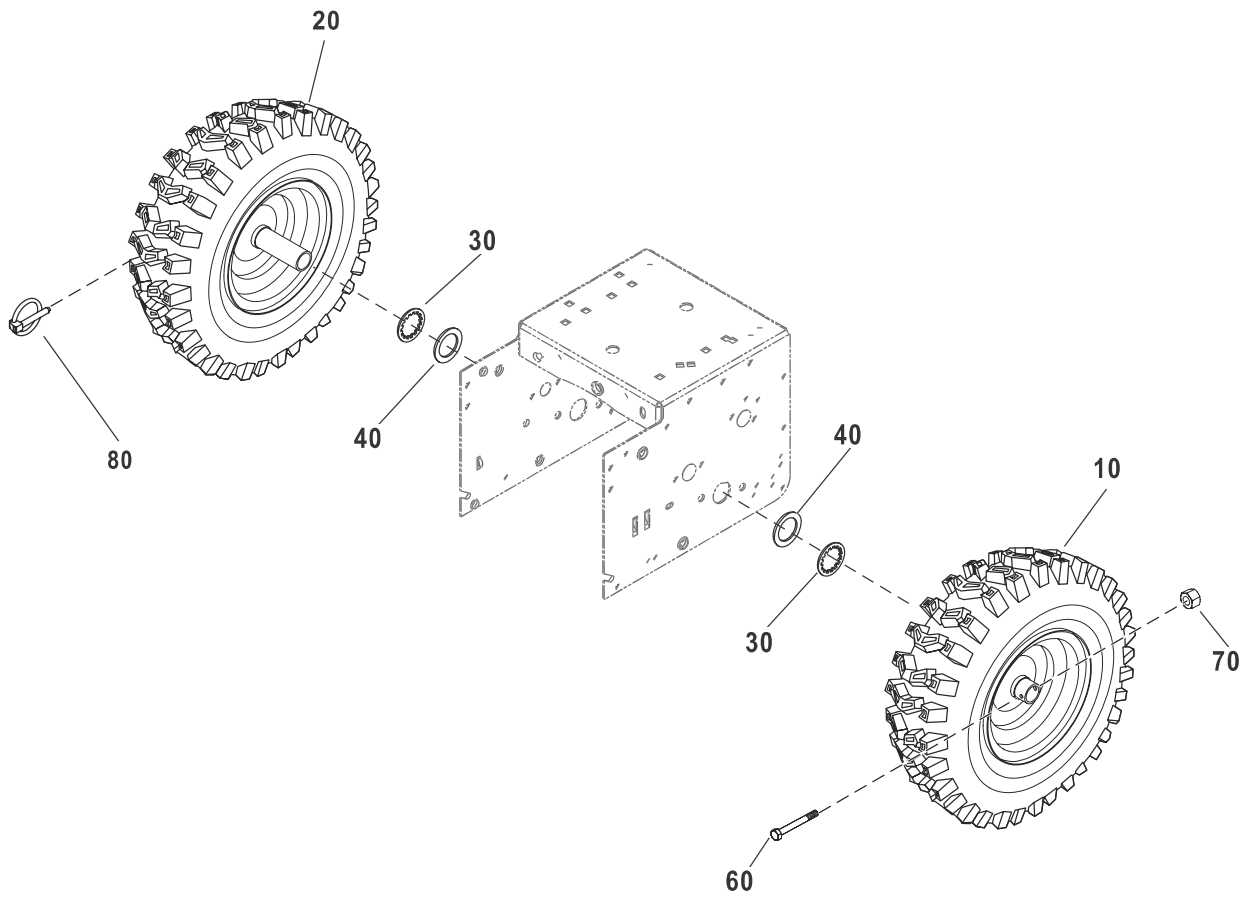
Utgåva Issue		Bildnr Picture No		SNOW FOX STYRE REGLAGE		SNOW FOX HANDLE CONTROLS		Sida Page	
2011-14		2838						46	
Pos. Fig.	Antal/Quantity				Art nr Part No	Benämning	Description	Sats Kit	Anmärkning Notes
	2869 -31								
	10	1			9988-3751-12	Skruv.....	Screw.....		
	50	1			1812-0304-01	Fjäder.....	Spring.....		
	60	1			9699-0029-02	Planbricka.....	Flat washer.....		
	70	1			9743-3721-32	Mutter.....	Nut.....		
	80	1			1812-2605-01	Koppl.reglage-vä.....	Clutch lever-LH.....		
	100	1			1812-2511-01	Regl.spak- hastighet.....	Speed lever.....		
	120	4			9988-3545-12	Skruv.....	Screw.....		
	130	1			1812-2417-01	Fäste.....	Controls brkt.....		
X	140	1			1812-2751-01	Reglagestång.....	Rod, speed control.....		
	150	3			9727-3641-22	Mutter.....	Nut.....		
	170	2			9794-5131-02	Mutter.....	Nut.....		
	175	1			9683-0030-02	Fjäderbricka.....	Spring washer.....		
X	180	2			1812-2738-01	Monteringsfäste.....	Bracket, mounting.....		
	190	1			1812-2562-01	Kulled.....	Ball joint.....		
X	330	1			1812-2792-01	Panel.....	Dash.....		
X	335	1			1812-2753-01	Plugg.....	Plug.....		
	340	2			1812-2257-01	Skruv.....	Screw.....		
	360	2			1812-2623-01	Ansatsbult.....	Shoulder bolt.....		
	370	4			9899-3625-16	Skruv.....	Screw.....		
	390	1			1812-2575-01	Panelfäste.....	Dash support.....		
	400	1			1812-2542-01	Reglagewire- snöskruv.....	Drive cable- auger.....		
	410	1			1812-2606-01	Koppl.reglage- hö.....	Clutch lever- RH.....		
	420	2			1812-2256-01	Mutter.....	Nut.....		
	430	2			1812-2351-01	Handtag.....	Hand grip.....		
	440	2			1812-2412-01	Distans.....	Stepped spacer.....		
	450	2			1812-2148-01	Distans.....	Spacer.....		
	470	1			1812-2317-01	Styre överdel- hö.....	Handle upper- RH.....		
	480	1			1812-2316-01	Styre överdel- vä.....	Handle upper- LH.....		
	490	2			1812-2479-01	Vagnsbult.....	Carriage bolt.....		L = 57 mm
	495	2			1812-2476-01	Vagnsbult.....	Carriage bolt.....		L = 45 mm
	500	1			1812-2519-01	Styre- undre.....	Handle- lower.....		
	510	4			9743-3621-32	Mutter.....	Nut.....		
	530	4			1812-2641-01	Skruv.....	Screw.....		
	540	1			1133-0977-01	Wirefäste.....	Cable adjust bracket.....		
	550	1			1133-0968-01	Wirehylsa.....	Clutch spring boot.....		
	560	1			1812-2029-01	Reglagewire.....	Control cable.....		
	670	5			1812-2371-01	Buntband.....	Self lock tie.....		
	680	1			1812-2379-01	Knopp.....	Knob.....		
	700	2			9699-0026-02	Planbricka.....	Flat washer.....		
X	880	2			1812-2765-01	Skruv.....	Screw.....		
	930	4			9743-3521-32	Mutter.....	Nut.....		
	940	1			1812-2481-01	Skruv.....	Screw.....		
	950	1			1812-2256-01	Mutter.....	Nut.....		
X	999	1			8218-2258-20	Bruksanvisning.....	Owner's manual.....		Ej ill/not ill.



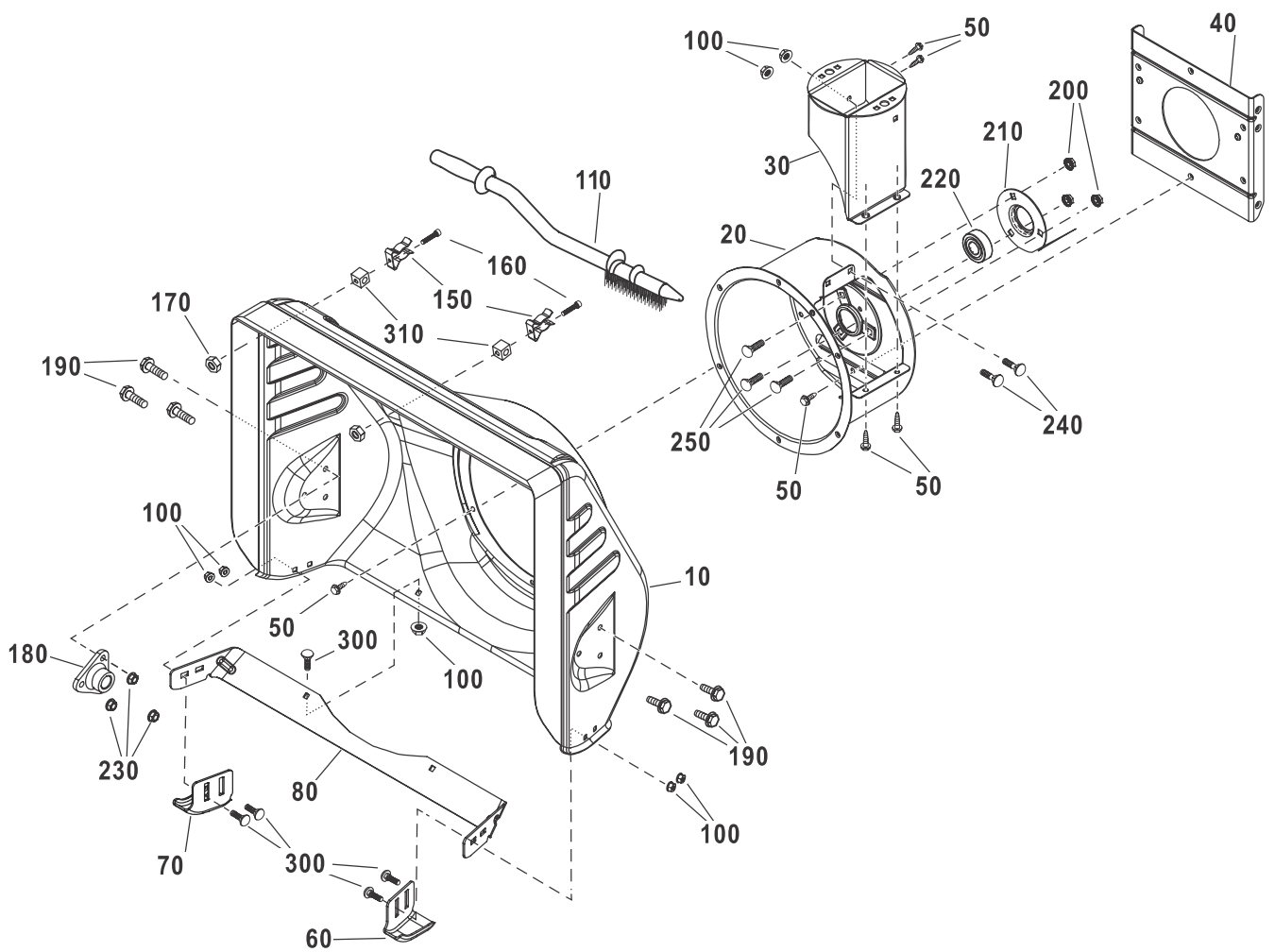
Utgåva Issue		Bildnr Picture No		SNOW FOX RAM MOTOR		SNOW FOX FRAME ENGINE		Sida Page	
2011-14		2839						48	
Pos. Fig.	Antal/Quantity				Art nr Part No	Benämning	Description	Sats Kit	Anmärkning Notes
	2869 -31								
X	10A	1			795027	Tanklock	Fuel cap.....		B&S- part
	50	4			9899-3638-12	Skruv	Screw		
	60	4			1812-1681-01	Hållare	Retainer		
	70	4			9743-3621-32	Mutter	Nut		
	90	1			1812-1719-01	Motorremskiva	Engine pulley.....		
	100	3			1812-2248-01	Bricka	Washer.....		
	110	1			9987-5132-12	Skruv.....	Screw		
	120	1			1812-2220-01	Kilrem- drivning.....	Belt- traction drive.....		
X	130	1			1812-2784-01	Kilrem- snöskruv	Belt- auger.....		
	140	1			1812-2443-01	Remstyrning.....	Belt guide		
	150	4			9683-0030-02	Låsbricka	Lock washer		
	160	1			9987-5119-16	Skruv.....	Screw.....		
	170	1			1812-1722-01	Spännrullsfäste.....	Idler bracket		
	180	1			1812-1705-01	Bussning	Bushing.....		
	190	1			1812-2489-01	Fjäder.....	Ext.idler spring.....		
	200	2			1812-2077-01	Spännrulle	Tension roller		
	210	2			9743-3721-32	Mutter.....	Nut		
	220	1			9899-3732-16	Skruv.....	Screw.....		
X	230	1			1812-2796-01	Spännarm.....	Auger idler		
	240	1			1812-1741-01	Distans	Spacer.....		
	260	1			1812-2308-01	Reglagearm	Control arm.....		
	270	1			1812-2490-01	Låsnål.....	Hair pin		
	280	1			1812-2407-01	Sprint.....	Clevis pin		
	290	1			1812-2465-01	Bottenplåt	Bottom cover		
	300	10			1812-2250-01	Skruv.....	Screw.....		
	310	1			1812-1763-01	Fjäder.....	Spring		
X	320	1			1812-2788-01	Ram.....	Frame.....		
	350	6			1812-2141-01	Skruv.....	Screw.....		
X	360	1			1812-2787-01	Remskydd	Belt cover		
X	370	2			1812-2748-01	Skruv.....	Screw.....		
	390	1			1812-2504-01	Regnskydd.....	Water shield		
	390A	1			1812-2505-01	Tätning	Foam seal		
	400	1			1812-2614-01	Tätningslist.....	Seal strip.....		
	410	2			9987-5125-16	Skruv.....	Screw.....		
	420	1			1812-2281-01	Låsnål.....	Cotter pin		
	500	1			1812-2657-01	Bricka	Flat washer.....		
	510	1			9699-0038-02	Planbricka.....	Flat washer.....		



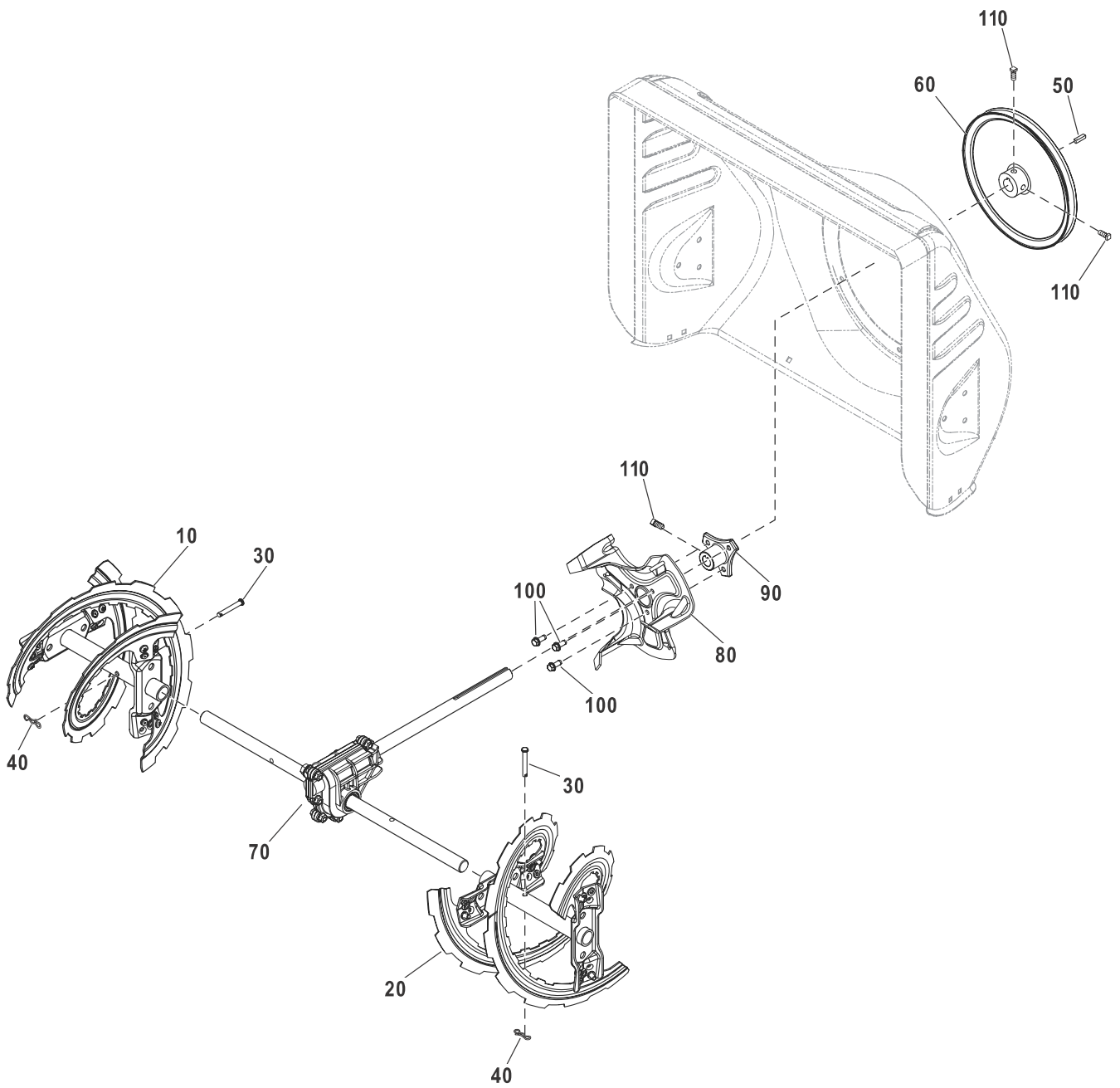
Utgåva Issue		Bildnr Picture No		SNOW FOX DRIVNING		SNOW FOX TRACTION DRIVE		Sida Page	
2011-14		2840						50	
Pos. Fig.	Antal/Quantity				Art nr Part No	Benämning	Description	Sats Kit	Anmärkning Notes
	2869 -31								
	200	1			1812-1686-01	Kedja	Chain.....		
	210	4			1812-1178-01	Glidlager m.hållare.....	Bearing & retainer.....		
	220	5			1812-1204-01	Bricka	Washer.....		
	230	8			1812-2249-01	Skruv.....	Screw.....		
	240	1			1812-1688-01	Kedja	Chain.....		
	250	5			1812-1672-01	Låsring	Retainer ring		
	260	1			1812-2076-01	Fjäderlänkarm.....	Spring link.....		
	300	3			1812-2410-01	Fjäder.....	Extension spring		
X	310	1			1812-2773-01	Axel m drev	Sprocket set.....		
	320	2			9699-0038-02	Planbricka.....	Flat washer.....		
	330	1			1812-1713-01	Axel- svängplatta	Axle- swing plate.....		
	340	1			1812-1862-01	Hjulaxel.....	Axle shaft		
	350	1			1812-1755-01	Skruv.....	Screw.....		
	420	1			1812-1712-01	Kedjedrev.....	Sprocket.....		
	430	2			1812-1724-01	Lager	Axle bearing		
	440	1			1812-1750-01	Sexkantsaxel.....	Hex shaft.....		
X	450	1			1812-2734-01	Nav, friktionshjul.....	Hub, friction wheel.....		
	460	1			1812-9028-01	Friktionshjul.....	Friction disc wheel		
	500	3			9988-3516-16	Skruv.....	Screw.....		
	510	3			9795-3531-02	Mutter.....	Nut		
	520	1			1812-2380-01	Låsring	Retext ring		
	530	1			1812-1674-01	Flänslåsmutter	Flange lock nut.....		
	540	1			1812-1701-01	Svängplatta.....	Swing plate		
	550	1			1812-1739-01	Distans	Spacer.....		
	560	1			1812-1725-01	Friktionsremskiva	Friction pulley		
	600	1			1812-1720-01	Växelarm	Yoke rod.....		
	610	1			1812-1219-01	Plastbussning.....	Plastic bushing		
	620	2			9743-3521-32	Mutter.....	Nut		
	630	1			9988-3538-12	Skruv.....	Screw.....		
	640	1			1812-1205-01	Spole	Spool		
	650	1			1812-1702-01	Fäste.....	Bracket.....		
	660	1			1812-1727-01	Reglagewire- nedre.....	Drive cable- lower		



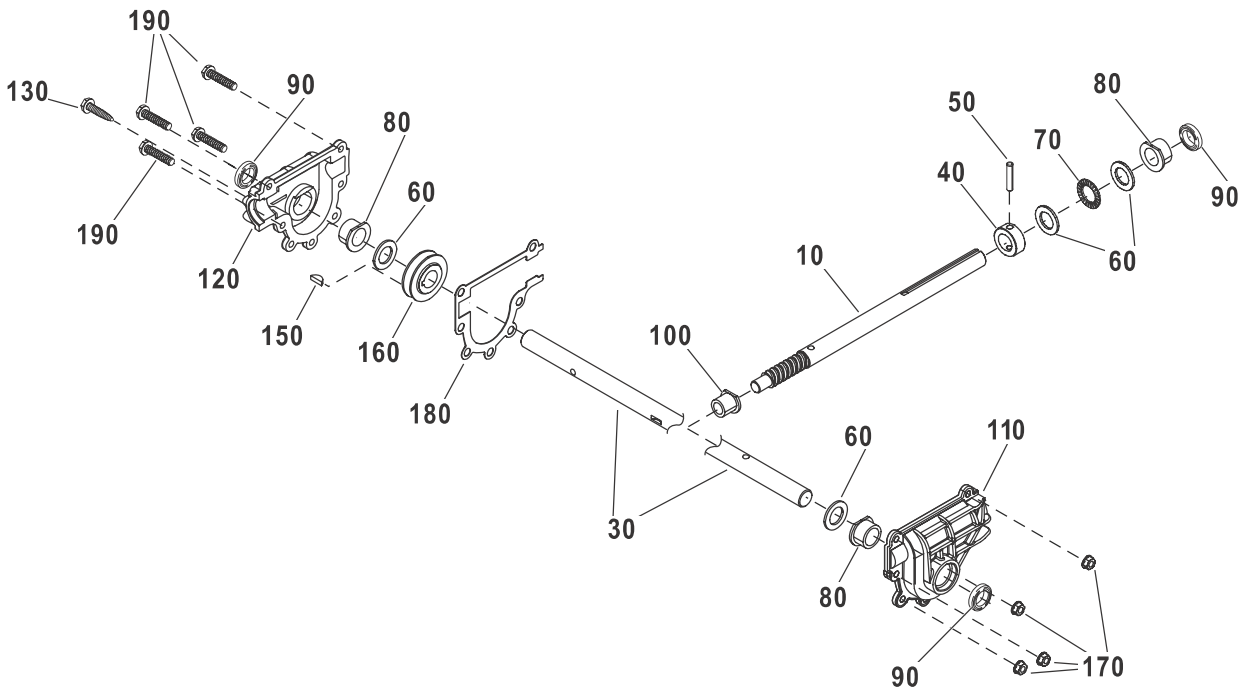
Utgåva Issue		Bildnr Picture No		SNOW FOX HJUL		SNOW FOX WHEELS		Sida Page	
2011-14		2841						52	
Pos. Fig.	Antal/Quantity				Art nr Part No	Benämning	Description	Sats Kit	Anmärkning Notes
	2869 -31								
X	10	1			1812-2777-01	Hjul kpl- vä.....	Wheel & tire assy-LH		13 x 5.0
X	20	1			1812-2776-01	Hjul kpl- hö	Wheel & tire assy-RH		13 x 5.0
	30	2			1812-2139-01	Låsring	Retaining ring		
	40	2			1812-0407-01	Bricka	Washer.....		
	60	1			1812-1114-01	Bult.....	Bolt		
	70	1			1812-1760-01	Mutter	Nut		
	80	1			1812-0408-01	Låssprint	Clík pin		



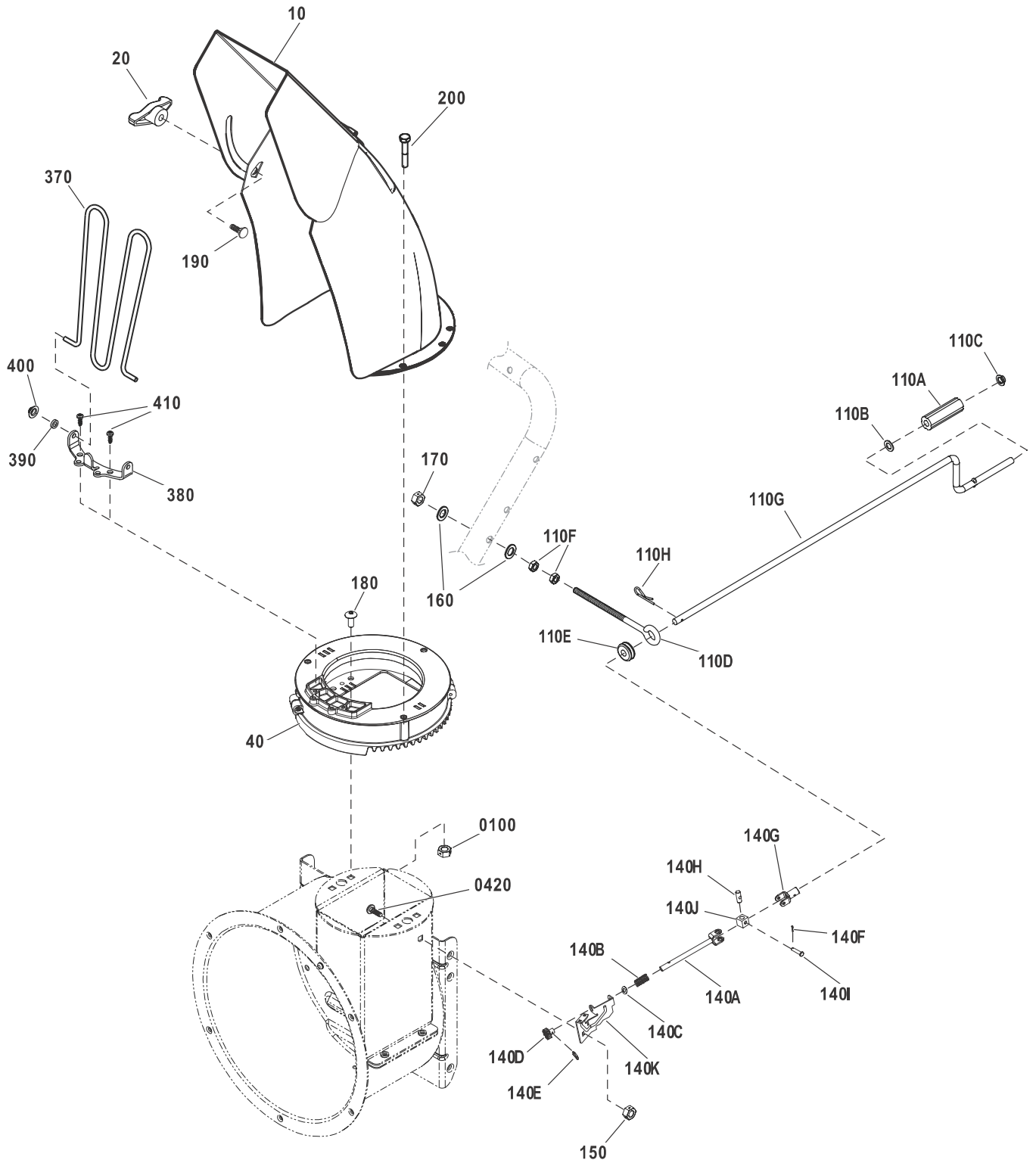
Utgåva Issue		Bildnr Picture No		SNOW FOX INMATNINGSHUS		SNOW FOX AUGER HOUSING		Sida Page	
2011-14		2842						54	
Pos. Fig.	Antal/Quantity				Art nr Part No	Benämning	Description	Sats Kit	Anmärkning Notes
	2869 -31								
X	10	1			1812-2774-01	Inmatningshus.....	Auger housing.....		24"
X	20	1			1812-2778-01	Fläkthus	Impeller housing		
X	30	1			1812-2789-01	Utkaströr	Chimney		
X	40	1			1812-2779-01	Fäste, bakre	Bracket, rear mount		
X	50	16			1812-2475-01	Skruv	Screw		
X	60	1			1812-2783-01	Släpsko- vä	Skid shoe- LH		
X	70	1			1812-2782-01	Släpsko- hö	Skid shoe- RH		
X	80	1			1812-2785-01	Skrapskär	Scraper bar		
	100	8			9743-3521-32	Mutter	Nut		
	110	1			1812-2400-01	Borste	Cleanout brush		
	150	2			1812-2413-01	Klämma	Spring clamp		
	160	2			1812-2480-01	Skruv	Screw		
	170	2			1812-1912-01	Mutter	Nut		
	180	2			1812-0878-01	Lager	Bearing		
	190	6			9988-3619-16	Skruv	Screw		
	200	3			9727-3641-22	Mutter	Nut		
	210	1			1812-2142-01	Lagerhållare.....	Bearing retainer.....		
	220	1			1812-2346-01	Lager	Greased bearing		
	230	6			9743-3621-32	Mutter	Nut		
	240	2			9899-3516-16	Skruv	Screw		
	250	3			9899-3622-16	Skruv	Screw		
	300	6			1812-2254-01	Vagnsbult	Carriage bolt		
	310	2			1812-1317-01	Ledknut	Universal pivot block.....		



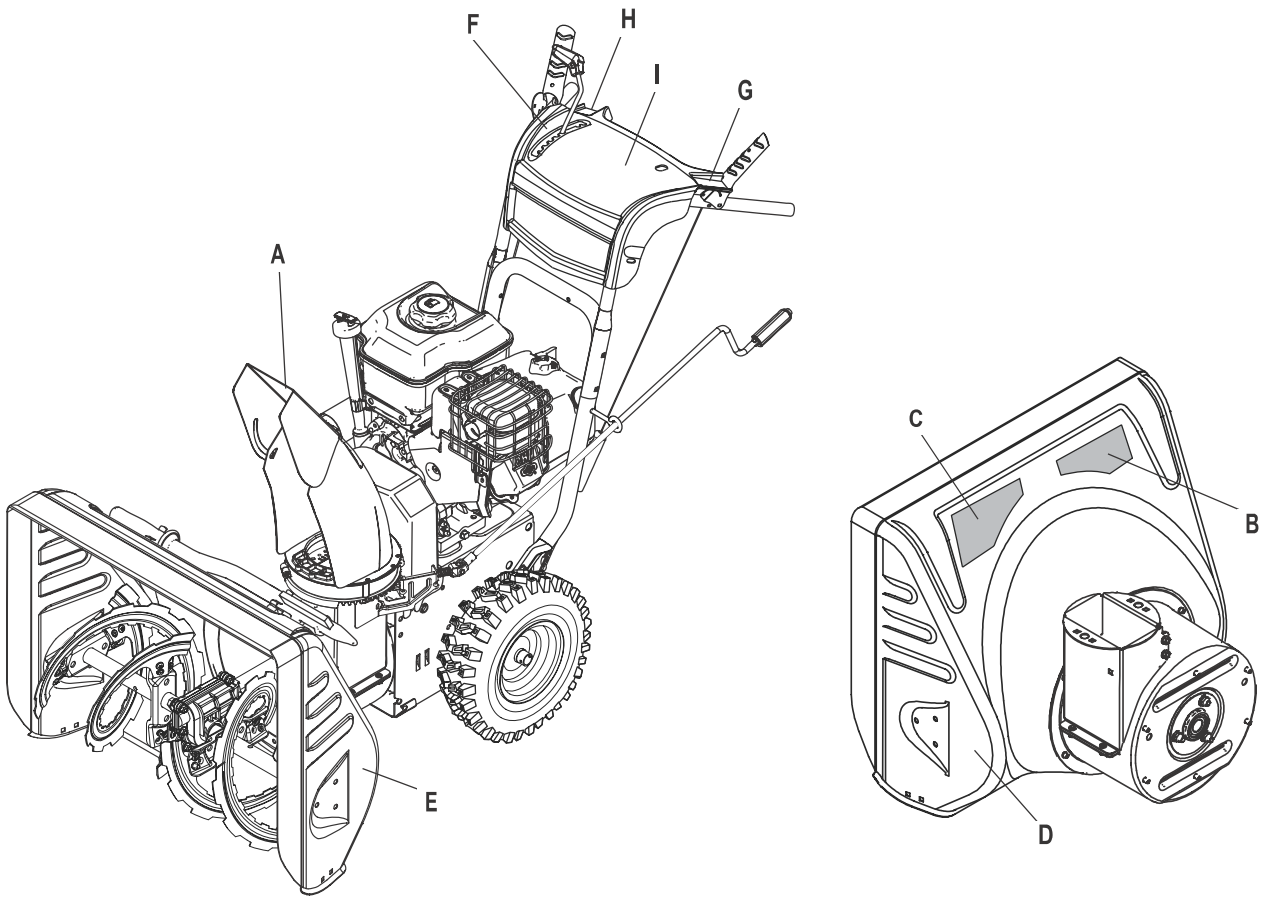
Utgåva Issue		Bildnr Picture No		SNOW FOX SNÖSKRUV		SNOW FOX AUGER DRIVE		Sida Page	
2011-14		2843						56	
Pos. Fig.	Antal/Quantity				Art nr Part No	Benämning	Description	Sats Kit	Anmärkning Notes
	2869 -31								
X 10	1				1812-2791-01 Snöskruv- hö	Auger- RH			
X 20	1				1812-2790-01 Snöskruv- vä.....	Auger- LH			
X 30	1				1812-9029-01 Brytbultsats	Shear bolt kit.....			
X 40	2				1812-2563-01 • Låsnål	• Cotter pin			
X 50	1				1812-1609-01 Kil	Key			
X 60	1				1812-2793-01 Remskiva.....	Auger pulley			
X 70	1				1812-2804-01 Snäckväxel kpl.....	Gear case assy		24"	
X 80	1				1812-2780-01 Fläkt.....	Impeller			
X 90	1				1812-2553-01 Nav- fläkt	Hub-impeller			
100	3				1812-2249-01 Skruv	Screw			
110	3				1812-2640-01 Stoppskruv	Set screw			



Utgåva Issue		Bildnr Picture No		SNOW FOX SNÄCKVÄXEL		SNOW FOX GEAR CASE		Sida Page	
2011-14		2844						58	
Pos. Fig.	Antal/Quantity				Art nr Part No	Benämning	Description	Sats Kit	Anmärkning Notes
	2869 -31								
X	10	1			1812-2781-01	Fläktaxel.....	Impeller shaft.....		
X	30	1			1812-2786-01	Snöskruvaxel.....	Auger shaft.....		
	40	1			1812-1321-01	Distans.....	Thrust collar.....		
	50	1			1133-0395-01	Stift.....	Roll pin.....		
	60	4			1812-0857-01	Bricka.....	Thrust washer.....		
	70	1			1812-0285-01	Nållager.....	Needle bearing.....		
	80	3			1812-1360-01	Flänslager.....	Flange bearing.....		
	90	3			1812-0881-01	Tätningring.....	Oil seal.....		
	100	1			1812-1359-01	Bussning.....	Bushing.....		
	110	1			1812-0908-01	Snäckväxelhus- vä.....	Gear case- LH.....		
	120	1			1812-0909-01	Snäckväxelhus- hö.....	Gear case- RH.....		
	130	1			1812-0856-01	Skruv.....	Screw.....		
	150	1			1812-1371-01	Kil.....	Woodruff key.....		
X	160	1			1812-2798-01	Snäckdrev.....	Worm gear.....		
	170	7			1812-1758-01	Mutter.....	Nut.....		
	180	1			1812-1361-01	Packning.....	Gasket.....		
	190	7			9988-3519-16	Skruv.....	Screw.....		



Utgåva Issue		Bildnr Picture No		SNOW FOX UTKAST		SNOW FOX DISCHARGE CHUTE		Sida Page	
2011-14		2845						60	
Pos. Fig.	Antal/Quantity				Art nr Part No	Benämning	Description	Sats Kit	Anmärkning Notes
	2869 -31								
X	10	1			1812-2803-01	Utkast	Chute		
X	20	1			1812-2805-01	Låsrott	Wing knob.....		
X	40	1			1812-2795-01	Utkastrotation	Chute rotation assy		
	100	4			9743-3521-32	Mutter.....	Nut		
	110A	1			1812-0318-01	Handtag	Handle.....		
	110B	1			1812-1171-01	Bricka	Washer.....		
	110C	1			1812-1483-01	Låsning.....	Retainer		
	110D	1			1812-1821-01	Öglebult	Eye bolt		
	110E	1			1812-0203-01	Hylsa	Grommet.....		
	110F	2			9743-3721-32	Mutter.....	Nut		
	110G	1			1812-1707-01	Inställningsvev.....	Chute crank.....		
	110H	1			1812-2490-01	Låsnål	Hair pin		
	140A	1			1812-1826-01	Gaffelstång	Yoke and rod.....		
	140B	1			1812-1761-01	Fjäder.....	Spring		
	140C	1			1812-2108-01	Bricka	Washer.....		
	140D	1			1812-1706-01	Drev.....	Gear		
	140E	1			1812-1791-01	Låsnål	Hair pin		
	140F	1			9599-0033-00	Saxsprint	Split pin.....		
	140G	1			1812-1708-01	Gaffel	Yoke adapter		
	140H	1			1812-1316-01	Axel	Universal pin		
	140I	1			1812-1318-01	Sprint.....	Clevis pin		
	140J	1			1812-1317-01	Ledknut	Universal pivot block.....		
X	140K	1			1812-2794-01	Fäste.....	Mounting bracket.....		
	150	1			9743-3521-32	Mutter.....	Nut		
	160	2			9699-0035-02	Planbricka.....	Flat washer.....		
	170	1			9743-3721-32	Mutter.....	Nut		
X	180	4			1812-2772-01	Skruv	Screw		
	190	1			1812-1678-01	Vagnsbult	Carriage bolt		
X	200	3			1812-2771-01	Skruv	Screw		
	370	1			1812-2381-01	Utkastskydd.....	Chute guard		
	380	1			1812-2416-01	Fäste.....	Chute guard brkt.....		
	390	2			1812-2426-01	Hylsa	Grommet.....		
	400	2			1812-2478-01	Snabbmutter.....	Push nut		
	410	2			1812-2473-01	Skruv	Screw.....		
	420	1			9899-3516-16	Skruv	Screw.....		



1



F



G

⚠ DANGER

Amputation hazard
Contact with moving parts inside chute will cause serious injury.

- Shut off engine before unclogging discharge chute.
- Use clean-out tool, not hands!

Risque d'amputation
Tout contact avec des pièces en mouvement à l'intérieur de la goutteuse provoquera de graves blessures.

- Arrêter le moteur avant de dégager la goutteuse d'éjection.
- Utiliser l'outil de dégagement, pas les mains!

17379165

A

⚠ DANGER

Risque d'amputation

- Tout contact avec la tarière provoquera de graves blessures.
- Tenir vos pieds, vos mains et vêtements à distance.
- Tenir les spectateurs à distance.

Amputation Hazard

- Contact with auger will cause serious injury.
- Keep hands, feet and clothing away.
- Keep bystanders away.

Danger objets projetés

- Ne jamais diriger la chute en direction des personnes ou biens matériels.

Thrown Objects Hazard

- Never direct discharge chute towards persons or property.

1735222

B

WARNING ⚠ AVERTISSEMENT

Shut off engine and remove key before performing maintenance or repair work.

Arrêter le moteur et retirer la clé avant d'effectuer tout entretien ou toute réparation.

Read the operator's manual for operating and safety instructions.

Lire les consignes de sécurité et d'utilisation dans le manuel d'utilisation.

The spark ignition system complies with the Canadian standard (CS-202).
Ce système d'allumage par étincelle de véhicule est conforme à la norme NMB-002 du Canada.

C

Utgåva Issue		Bildnr Picture No		SNOW FOX DEKALER		SNOW FOX LABELS		Sida Page	
Pos. Fig.	Antal/Quantity				Art nr Part No	Benämning	Description	Sats Kit	Anmärkning Notes
	2869 -31								
X 1					1812-2806-01	Dekalsats	Label kit		Incl. A-I